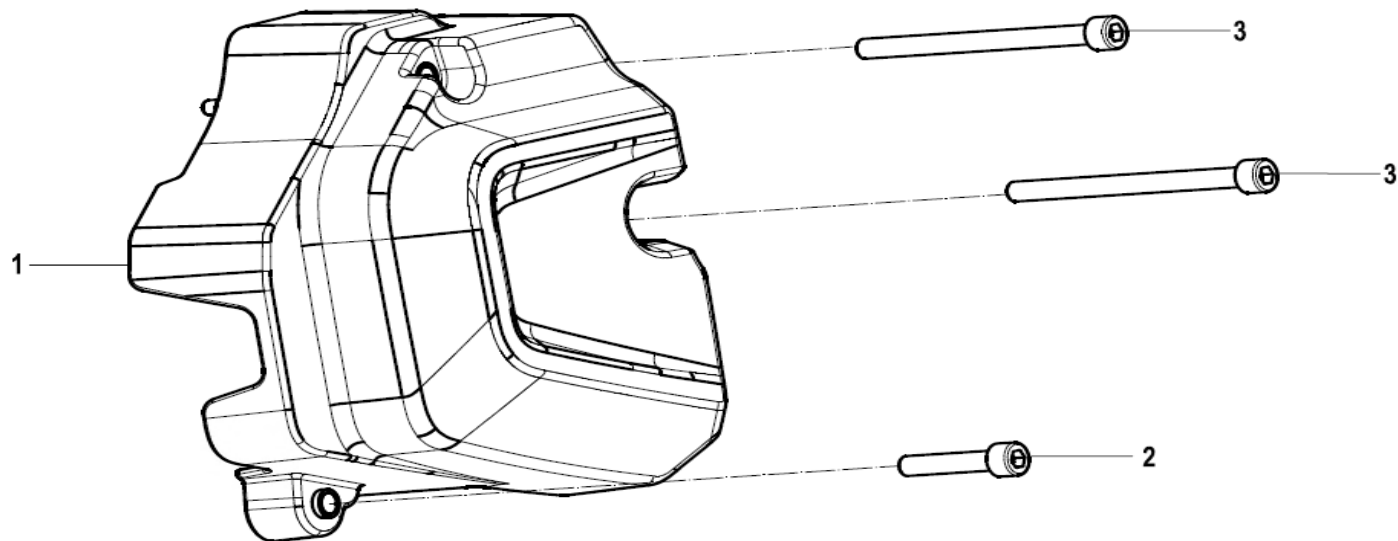


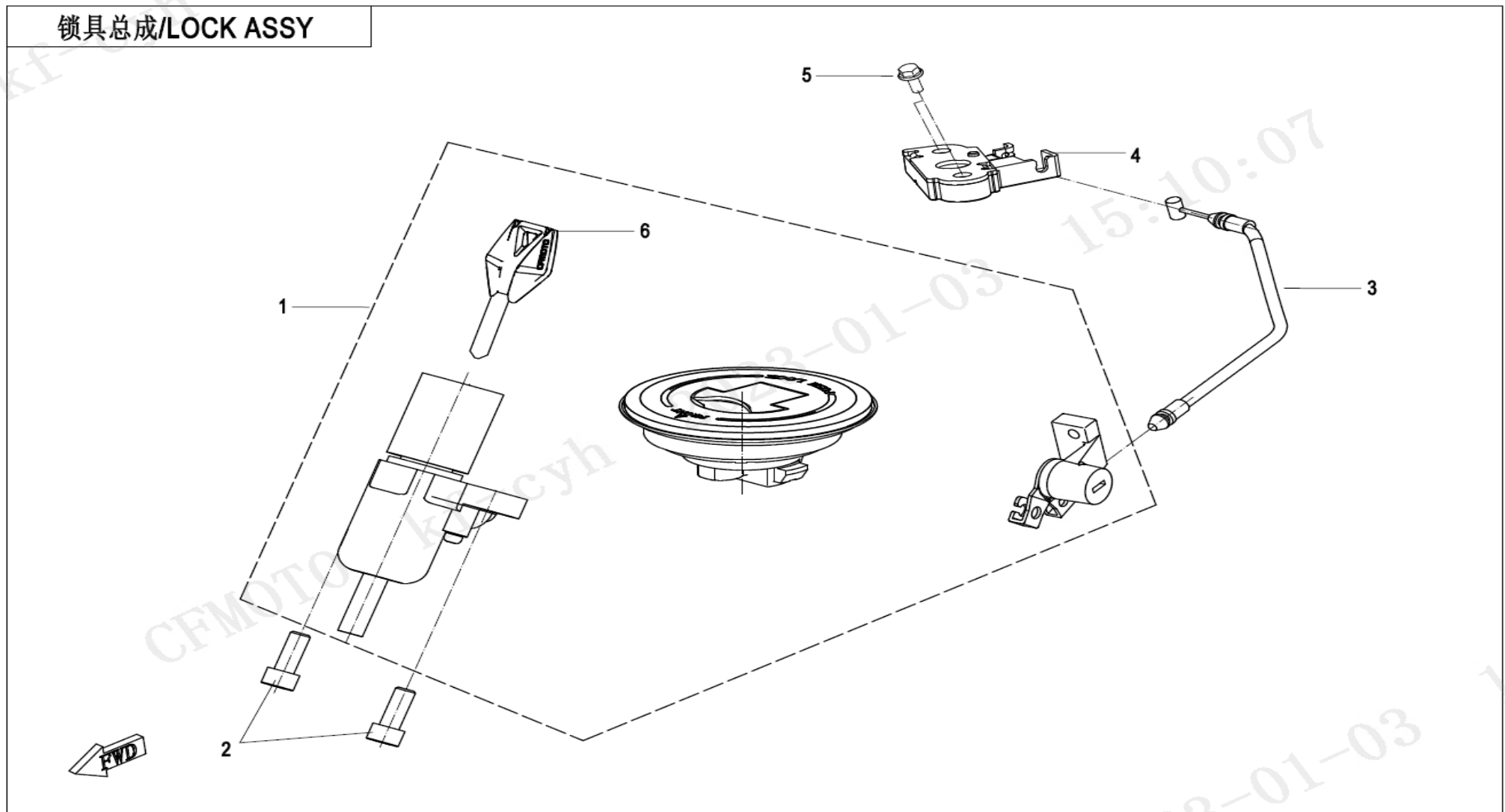
安装附件/ENGINE FITTINGS



F00 发动机安装附件 ENGINE FITTINGS

Item No	Parts Number	Parts Name(EN)	Parts Name(CN)	Qty	Remark(s)
1	6FIV-040011-7100	SMALL SPROCKET GUARD	小链轮罩	1	
2	0010-021017-0010	BOLT M6x25	螺栓	1	
3	0020-011018-00001	BOLT	螺栓	2	

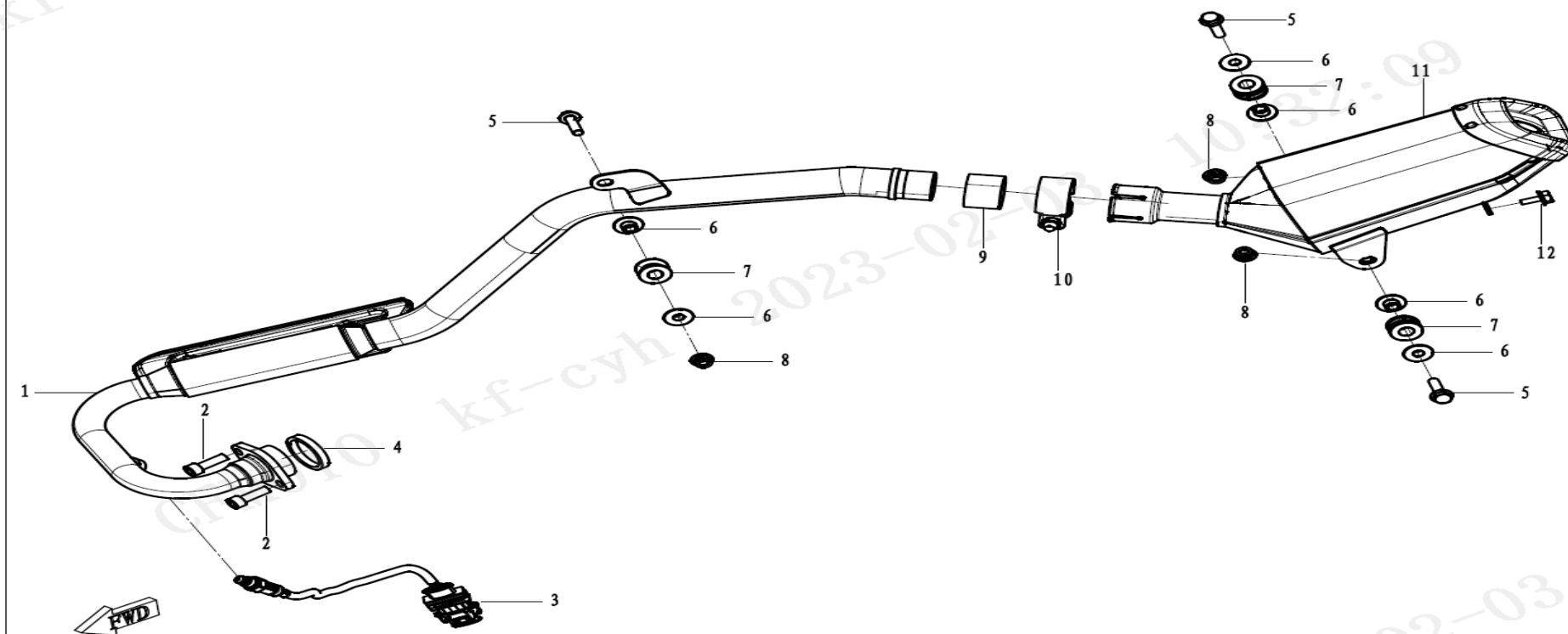
锁具总成/LOCK ASSY



F01 锁具 LOCK KIT

Item No	Parts Number	Parts Name(EN)	Parts Name(CN)	Qty	Remark(s)
01	6FIV-011000-7101	LOCK KIT	锁具组合	1	
02	30102-080020810	SCREW M8x20	螺钉	2	
03	6FIV-010010-7100	SEAT CABLE	座垫拉索	1	
04	6GU#-010320-6000	LOCK SEAT, SEAT	坐垫锁座	1	
05	30006-060016810	BOLT M6x16	螺栓	2	
06	6FIV-011020-7100	KEY	钥匙	1	

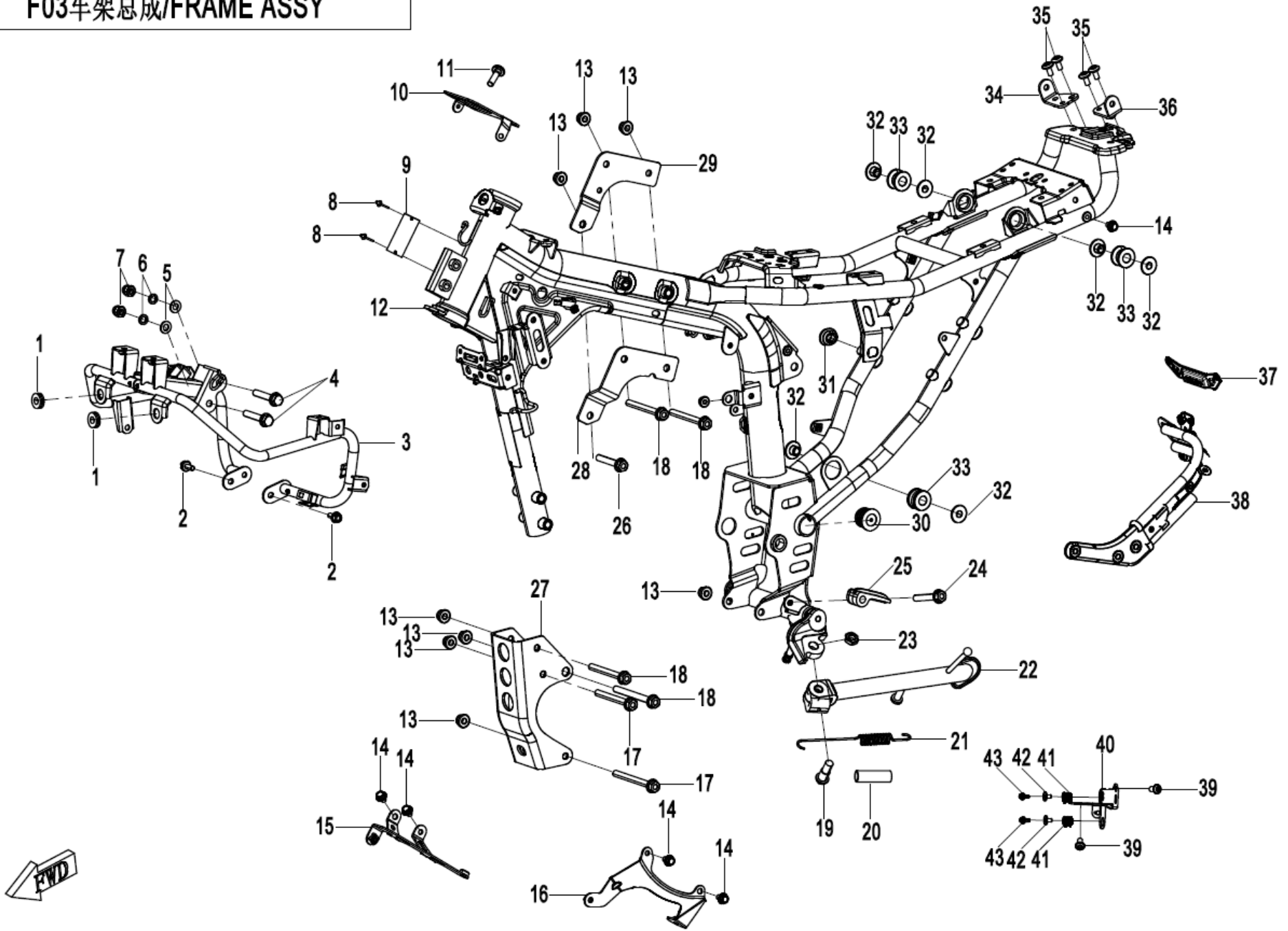
F02 消声器总成/MUFFLER COMP



F02 消声器 MUFFLER

Item No	Parts Number	Parts Name(EN)	Parts Name(CN)	Qty	Remark(s)
1	6FIV-021100-7100	EXHAUST PIPE ASSY	排气管焊接组件	1	
2	30102-080025810	SCREW M8x25	螺钉	2	
3	6KMV-176000-8400	OXYGEN SENSOR	氧传感器	1	
4	6090-020010	GASKET, EXHAUST PORT	排气口密封垫	1	
5	30006-080035810	BOLT M8x35	螺栓	3	
6	6WWV-020002-5000	BUSHING, MUFFLER BODY	筒体安装衬套	6	
7	6WWV-020003-5000	RUBBER SLEEVE, MUFFLER BODY	筒体橡胶套	3	
8	30204-080810	NUT M8	螺母	3	
9	A000-020003	SEAL SLEEVE, GRAPHITE 2	石墨密封套II	1	
10	A000-020500	CLAMP 1	卡箍组件 I	1	
11	6FIV-021200-7100	REAR MUFFLER BODY	尾筒体焊接组件	1	
12	30006-060012810	BOLT M6x12	螺栓	1	

F03车架总成/FRAME ASSY

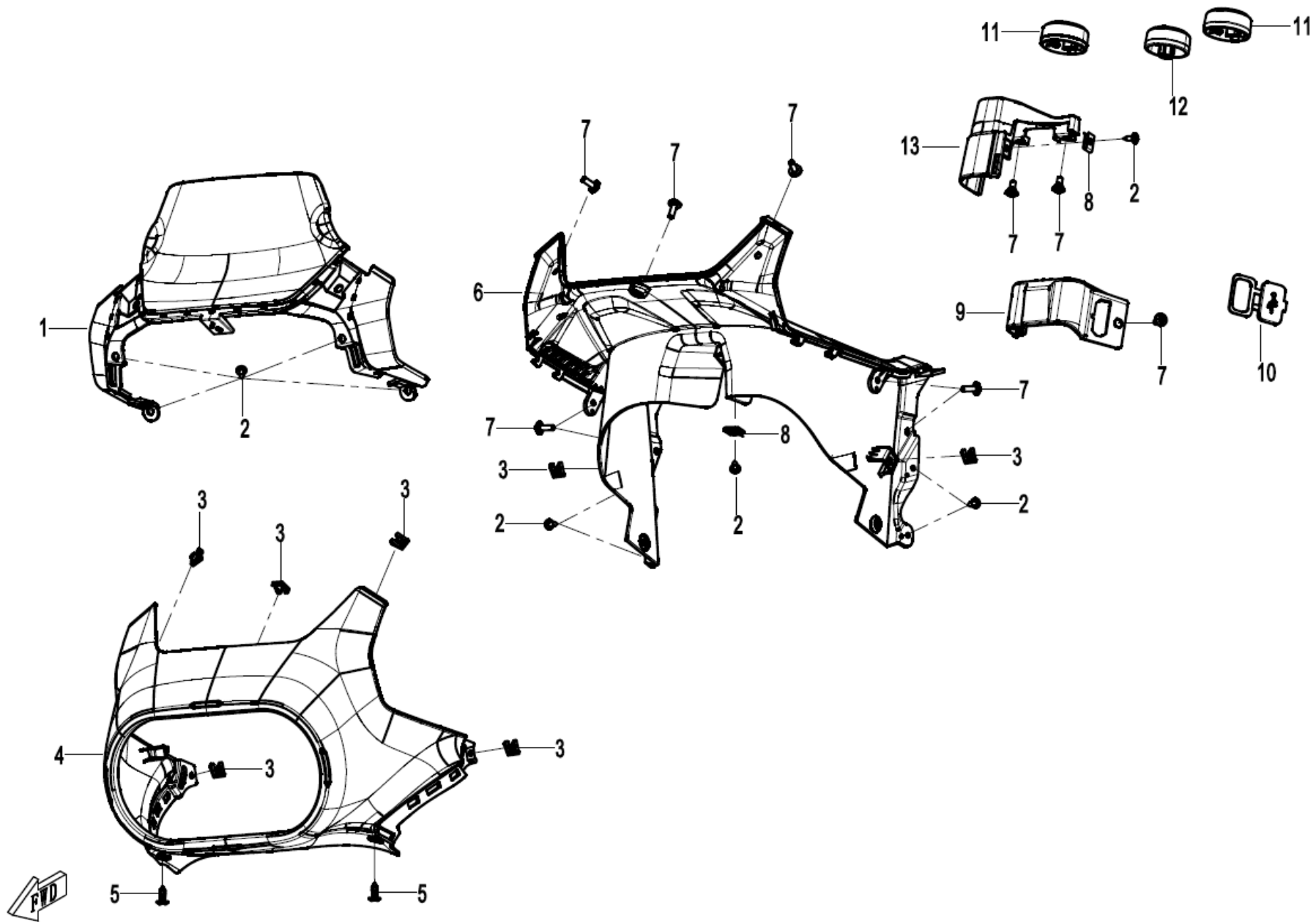


F03 车架 FRAME

Item No	Parts Number	Parts Name(EN)	Parts Name(CN)	Qty	Remark(s)
1	9010-160101	RUBBER MAT, HEADLIGHT	前照灯胶垫	2	
2	30006-060016810	BOLT M6x16	螺栓	2	
3	6FIV-030400-7101	FRONT BRACKET ASSY	前支架焊接组件	1	
4	30006-080045810	BOLT M8x45	螺栓	2	
5	30303-080112	WASHER	垫圈	2	
6	30306-080112	WASHER	垫圈	2	
7	30206-080510	NUT M8	盖形螺母	2	
10	6FIV-030001-7100	DASHBOARD BRACKET	仪表安装板	1	
11	30102-080016810	INNER HEX BOLT	内六角圆柱头螺钉	1	
12	6FIV-031000-7100-01	FRAME	车架焊接组件	1	
13	30204-080810	NUT M8	螺母	8	
14	6WWV-046702-5000	INNER HEX SCREW M6x12	M6x12内六角螺钉	5	
15	6FIV-030020-7100	ENGINE RH GUARD BRACKET	发动机右护罩安装支架	1	
16	6FIV-030010-7100	ENGINE LH GUARD BRACKET	发动机左护罩安装支架	1	
17	30006-080085810	BOLT M8x85	螺栓	2	
18	30006-080075810	BOLT M8x75	螺栓	4	
19	A000-030006	BOLT, SIDE STAND	侧支架螺栓	1	
20	A000-030004	SPRING COLLAR, SIDE STAND	边撑弹簧护套	1	
21	6KMV-030060-C000	SPRING KIT, SIDE STAND	边撑弹簧组合	1	
22	6FIV-030600-7101	SIDE STAND ASSY	边撑焊接组件	1	
23	30208-102010	NUT M10x1.25	螺母	1	
24	30006-060035810	BOLT M6x35	螺栓	1	
25	6KJ0-030510	CHAIN GUARD	链条护卡组合	1	
26	30006-080050810	BOLT M8x50	螺栓	1	
27	5280-030004-1000	FRONT SUSPENSION BRACKET, ENGINE	发动机前吊板	1	
28	6FI2-030002	LH UPPER BRACKET, ENGINE	发动机左上吊板	1	
29	6FIV-030050-7100	ENGINE RH UPPER BRACKET	发动机右上吊板安装座	1	
30	6KJ0-030503	RUBBER PLUG	车架横管橡胶塞	2	
31	8080-040064	DAMPER, FRONT FENDER	前围缓冲橡胶套	1	
32	6WWV-020002-5000	BUSHING, MUFFLER BODY	筒体安装衬套	6	
33	6WWV-020003-5000	RUBBER SLEEVE, MUFFLER BODY	筒体橡胶套	3	
34	6FIV-030040-7100	REAR SEAT RH BRACKET	后座垫右安装座	1	
35	6WWV-046802-5000	INNER HEX SCREW M6x16	M6x16内六角螺钉	4	
36	6FIV-030030-7100	REAR SEAT LH BRACKET	后座垫左安装座	1	

Item No	Parts Number	Parts Name(EN)	Parts Name(CN)	Qty	Remark(s)
37	6FIV-030009-7100	REAR LICENSE BRACKET	后牌照安装板	1	
38	6FIV-030300-7100	REAR FENDER	后挡泥板焊接组件	1	
39	30006-060010810	BOLT M6x10	螺栓	4	
40	6FIV-030002-7000	ABS BRACKET	ABS安装板	1	ABS
41	6WWV-030019-5000	RUBBER BUSHING	缓冲橡胶套	2	
42	6AQV-021002-1000	BUSHING	衬套	2	
43	30006-060022810	BOLT	螺栓	2	

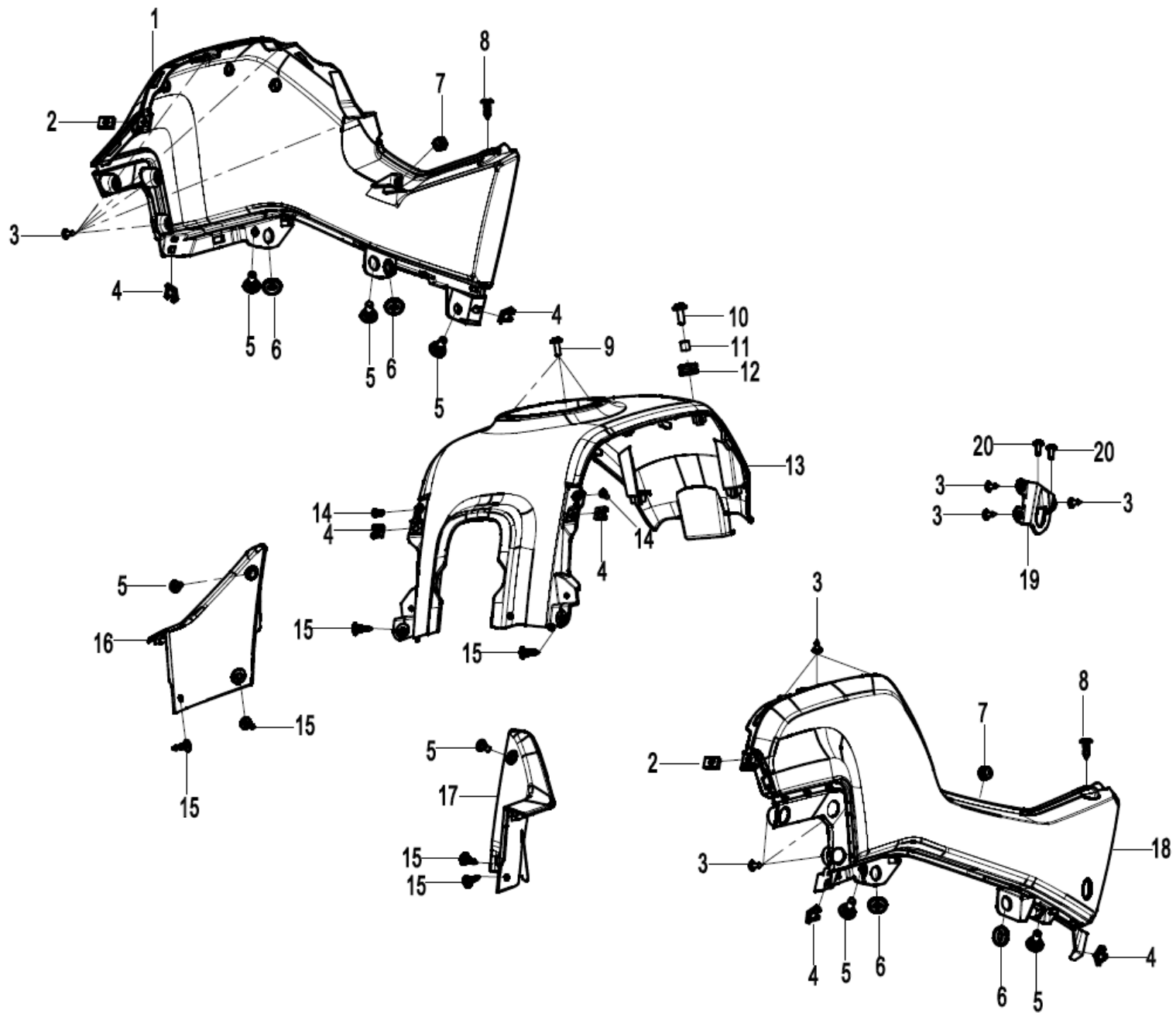
F04-1 塑料件 I / PLASTICS I



F04-1 塑料件 I PLASTICS I

Item No	Parts Number	Parts Name(EN)	Parts Name(CN)	Qty	Remark(s)
1	6FIV-041603-7100	WINDSHIELD	挡风玻璃	1	
2	30110-421130010	SCREW	自攻螺钉	11	
3	6KM#-040081-8000-M1	NUT CLIP M5	M5螺母夹	7	
4	6FIV-041601-7100-0VE00	HEADLIGHT PANEL (WHITE)	大灯面板	1	NEBULA WHITE
4	6FIV-041601-7100-0RM00	HEADLIGHT PANEL (RED)	大灯面板	1	MAGMA RED
4	6FIV-041601-7100-0GB00	HEADLIGHT PANEL (GREEN)	大灯面板	1	SPRUCE GREEN
5	8080-041130	PLASTIC SCREW	塑料膨胀螺钉组合	2	
6	6FIV-041602-7100	HEADLIGHT BRACKET	大灯背板	1	
7	6WWV-047102-5000	INNER HEX SCREW M5x14	M5×14内六角螺钉	8	
8	8010-000002	TOOL	夹板ST4.2	2	
9	6FIV-040104-7100	DASHBOARD LOWER GUARD	仪表下罩	1	
10	6AQV-041117-1002	USB PLUG COVER	USB堵盖	1	
11	6FIV-040511-7100	FRONT SHOCK ABSORBER UPPER LID	前减上端盖	2	
12	6FIV-040512-7100	PIPE UPPER LID	立管上端盖	1	
13	6FIV-040101-7100	IGNITION LOCK GUARD	点火锁罩	1	

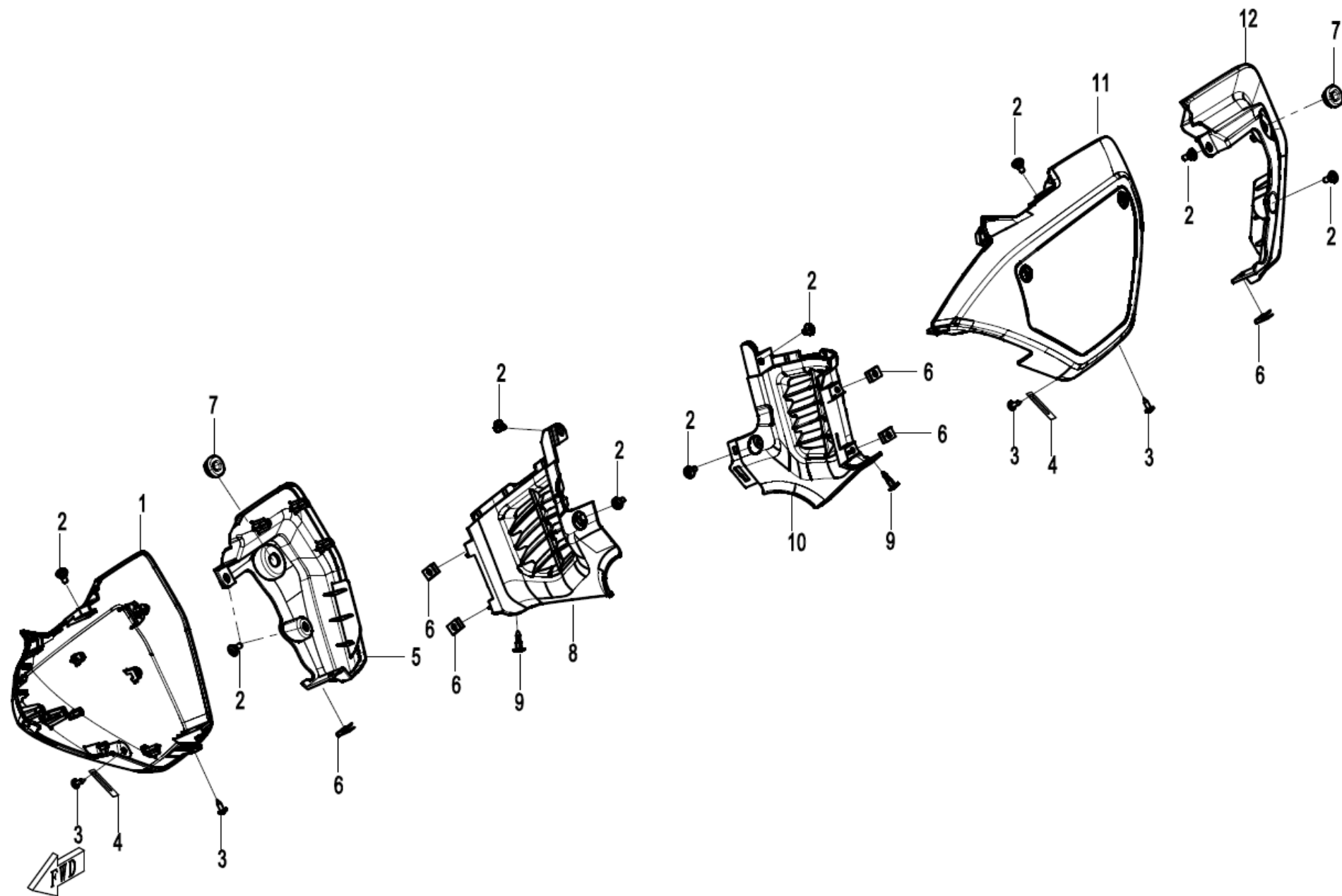
F04-2塑料件 II / PLASTICS II



F04-2 塑料件II PLASTICS II

Item No	Parts Number	Parts Name(EN)	Parts Name(CN)	Qty	Remark(s)
1	6FIV-041203-7100-0VY00	FUEL TANK RH PANEL (RED)	油箱右护板	1	NEBULA WHITE+LAVA REDISH PINK
1	6FIV-041203-7100-0VE00	FUEL TANK RH PANEL (WHITE)	油箱右护板	1	NEBULA WHITE
1	6FIV-041203-7100-0GB00	FUEL TANK RH PANEL (GREEN)	油箱右护板	1	SPRUCE GREEN
2	8010-000002	TOOL	夹板ST4.2	2	ST4.2
3	30110-421130010	SCREW	自攻螺钉	15	ST4.2x13
4	6KM#-040081-8000-M1	NUT CLIP M5	M5螺母夹	6	
5	6WWV-046502-5000	STEPPED SCREW M5	M5组合台阶螺钉	7	
6	6FIV-040401-7100	RUBBER HEAD	蘑菇头橡胶套	4	
7	6WWV-045801-5000	RUBBER	凸点橡胶	2	
8	9060-040310	PLASTIC CLIPS	塑料卡组合	2	
9	6WWV-047102-5000	INNER HEX SCREW M5x14	M5x14内六角螺钉	3	
10	6WWV-046802-5000	INNER HEX SCREW M6x16	M6x16内六角螺钉	1	
11	6090-040302	RUBBER DAMPER	缓冲胶套	1	
12	6090-040303	BUSHING	衬套	1	
13	6FIV-041201-7101-0GB00	UPPER PANEL, FUEL TANK (GREEN)	油箱上护板	1	SPRUCE GREEN
13	6FIV-041201-7101-0RM00	UPPER PANEL, FUEL TANK (RED)	油箱上护板	1	MAGMA RED
13	6FIV-041201-7101-0VE00	UPPER PANEL, FUEL TANK (WHITE)	油箱上护板	1	NEBULA WHITE
14	30110-420095010	SELF-TAPPING SCREW ST4.2x9.5	自攻螺钉	2	ST4.2x9.5
15	8080-041130	PLASTIC SCREW	塑料膨胀螺钉组合	6	
16	6FIV-041205-7100	RH FRONT PANEL	油箱右前护板	1	
17	6FIV-041204-7100	LH FRONT PANEL	油箱左前护板	1	
18	6FIV-041202-7100-0VY00	FUEL TANK LH PANEL (RED)	油箱左护板	1	NEBULA WHITE+LAVA REDISH PINK
18	6FIV-041202-7100-0VE00	FUEL TANK LH PANEL (WHITE)	油箱左护板	1	NEBULA WHITE
18	6FIV-041202-7100-0GB00	FUEL TANK LH PANEL (GREEN)	油箱左护板	1	SPRUCE GREEN
19	6FIV-040102-7100	SEAT LOCK BRACKET	座垫锁支架	1	
20	30105-050012410	SCREW M5x12	螺钉	2	M5x12

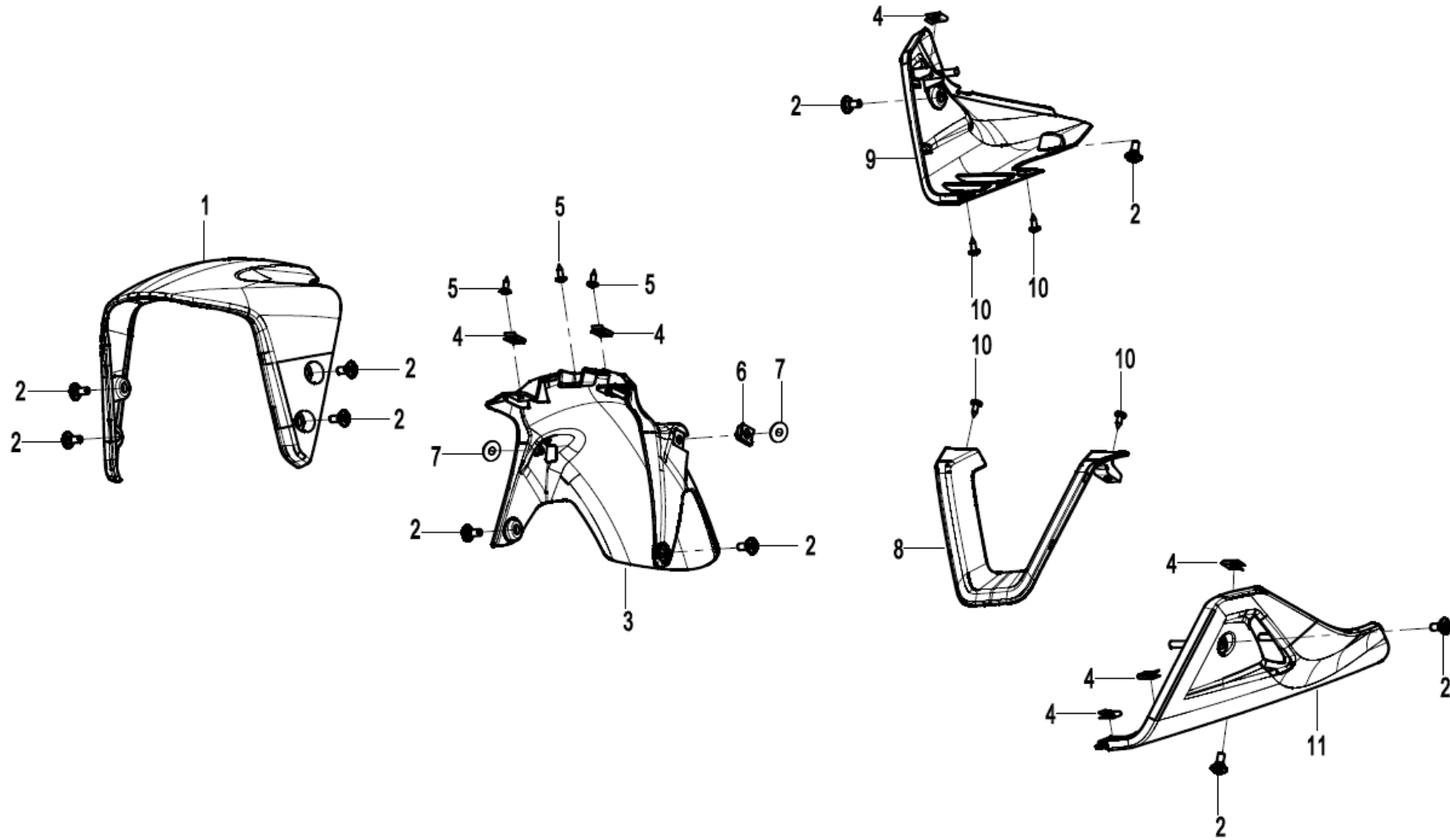
F04-3塑料件III/PLASTICS III



F04-3 塑料件III PLASTICS III

Item No	Parts Number	Parts Name(EN)	Parts Name(CN)	Qty	Remark(s)
1	6FIV-040302-7100-0VE00	RH FRONT PANEL (NEBULA WHITE)	右前护板	1	
1	6FIV-040302-7100-0GB00	RH FRONT PANEL (SPRUCE GREEN)	右前护板	1	
2	6WWV-046502-5000	STEPPED SCREW M5	M5组合台阶螺钉	10	
3	30110-421130010	SCREW	自攻螺钉	4	
4	0180-014010	WIRE CLIP	线夹组合	2	
5	6FIV-040308-7100-0BU00	RH FRONT PANEL DECO PART(MIST SILVER BLACK)	右前护板饰件	1	MIST SILVER BLACK
5	6FIV-040308-7100-0RM00	RH FRONT PANEL DECO PART(MAGMA RED)	右前护板饰件	1	
5	6FIV-040308-7100-0G700	RH FRONT PANEL DECO PART (LEMON GREEN)	右前护板饰件	1	
6	8010-000002	TOOL	夹板ST4.2	6	
7	6FIV-040401-7100	RUBBER HEAD	蘑菇头橡胶套	2	
8	6FIV-040310-7101	PIPE RH LOWER PLATE	立管右下遮板	1	
9	8080-041130	PLASTIC SCREW	塑料膨胀螺钉组合	2	
10	6FIV-040309-7101	PIPE LH LOWER PLATE	立管左下遮板	1	
11	6FIV-040301-7100-0VE00	LH FRONT PANEL (NEBULA WHITE)	左前护板	1	
11	6FIV-040301-7100-0GB00	LH FRONT PANEL(SPRUCE GREEN)	左前护板	1	
12	6FIV-040307-7100-0RM00	LH FRONT PANEL DECO PART(MAGMA RED)	左前护板饰件	1	
12	6FIV-040307-7100-0G700	LH FRONT PANEL DECO PART(LEMON GREEN)	左前护板饰件	1	
12	6FIV-040307-7100-0BU00	LH FRONT PANEL DECO PART(MIST SILVER BLACK)	左前护板饰件	1	

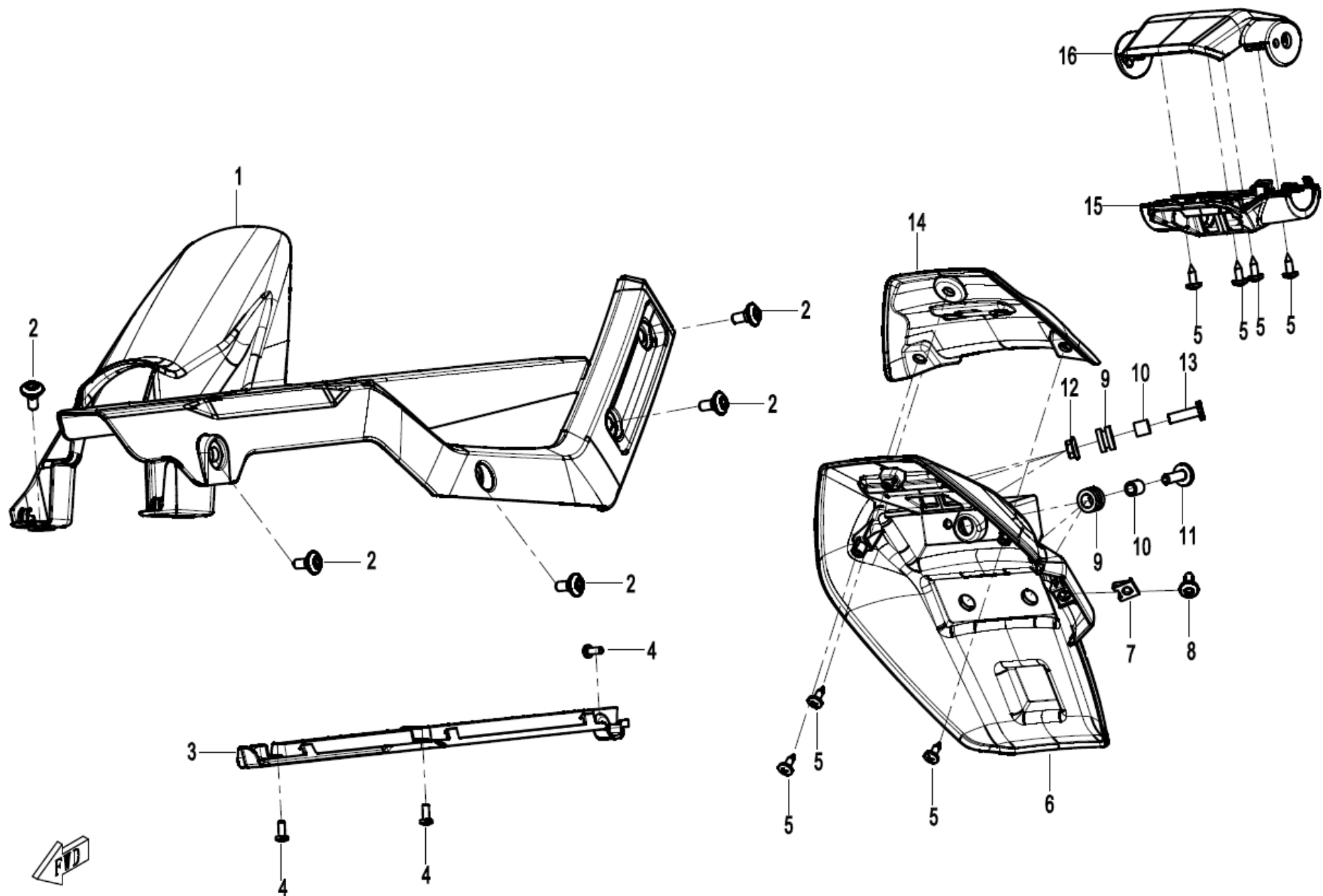
F04-4塑料件IV/PLASTICS IV



F04-4 塑料件IV PLASTICS IV

Item No	Parts Number	Parts Name(EN)	Parts Name(CN)	Qty	Remark(s)
1	6FIV-040501-7100-0BU00	FRONT FENDER FRONT PART (MIST SILVER BLACK)	前挡泥板前段	1	
1	6FIV-040501-7100-0VE00	FRONT FENDER FRONT PART (NEBULA WHITE)	前挡泥板前段	1	
2	6WWV-046602-5000	INNER HEX STEPPED SCREW M6x14	M6x14内六角台阶螺钉	10	
3	6FIV-040502-7100	FRONT FENDER REAR PART	前挡泥板后段	1	
4	8010-000002	TOOL	夹板ST4.2	6	
5	30110-421130010	SCREW	自攻螺钉	3	
6	8030-040800-00001	NUT CLIP M6	M6螺母夹	1	
7	30305-060112	WASHER	垫圈	2	
8	6FIV-040001-7100	ENGINE FRONT PANEL	发动机前护板	1	
9	6FIV-040003-7100-0VE00	ENGINE RH LOWER PANEL (NEBULA WHITE)	发动机右下护板	1	
9	6FIV-040003-7100-0GB00	ENGINE RH LOWER PANEL (SPRUCE GREEN)	发动机右下护板	1	
9	6FIV-040003-7100-0BU00	ENGINE RH LOWER PANEL (MIST SILVER BLACK)	发动机右下护板	1	
10	30110-420160070	SCREW	自攻螺钉	4	
11	6FIV-040002-7100-0VE00	ENGINE LH LOWER PANEL (NEBULA WHITE)	发动机左下护板	1	
11	6FIV-040002-7100-0GB00	ENGINE LH LOWER PANEL (SPRUCE GREEN)	发动机左下护板	1	
11	6FIV-040002-7100-0BU00	ENGINE LH LOWER PANEL (MIST SILVER BLACK)	发动机左下护板	1	

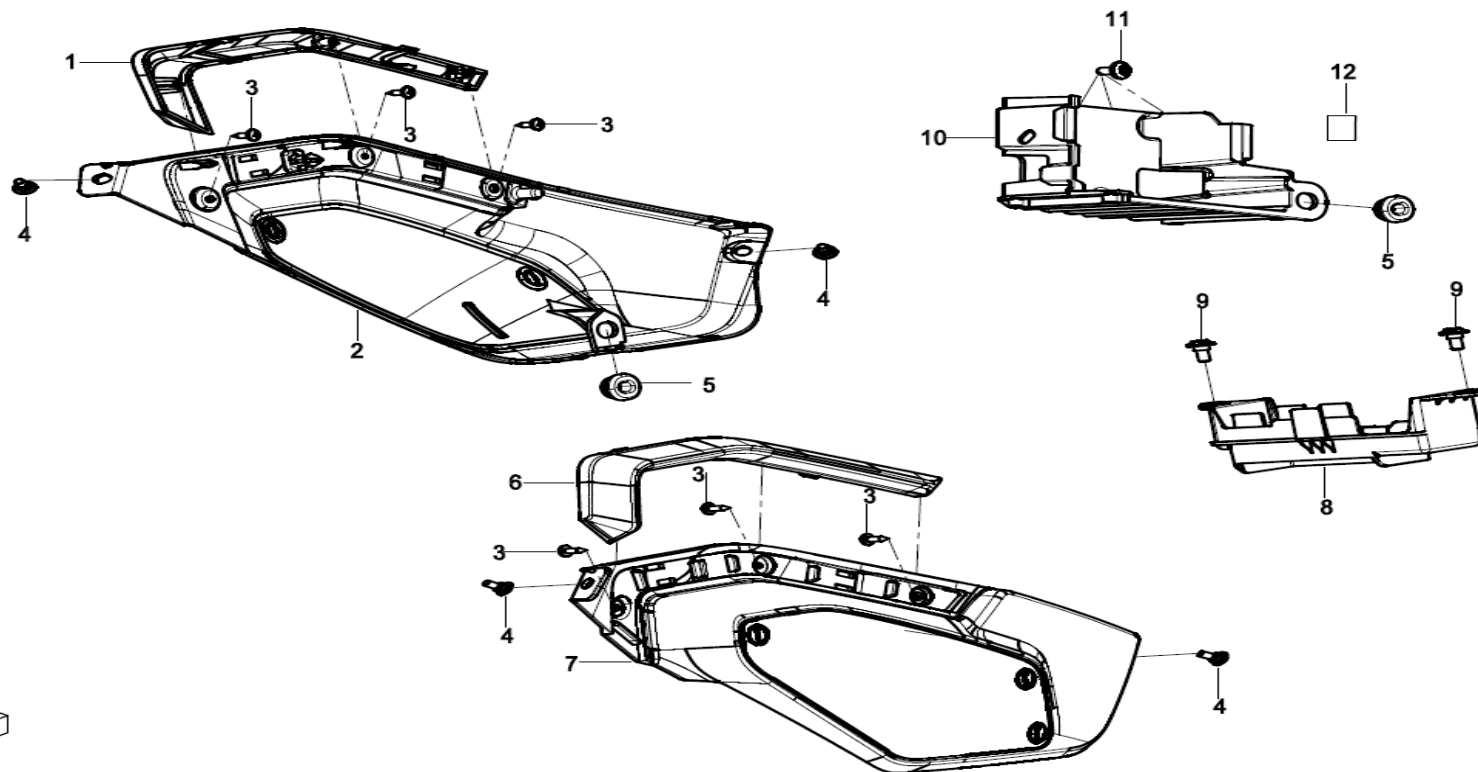
F04-5塑料件 V/PLASTICS V



F04-5 塑料件V PLASTICS V

Item No	Parts Number	Parts Name(EN)	Parts Name(CN)	Qty	Remark(s)
1	6FIV-040601-7100	REAR INNER FENDER	后内挡泥板	1	
2	6WWV-046602-5000	INNER HEX STEPPED SCREW M6x14	M6×14内六角台阶螺钉	5	
3	6FIV-040602-7101	INNER COVER, REAR INNER FENDER	后内挡泥内盖	1	
4	30118-420095010	SELF-TAPPING SCREW ST4.2x9.5	自攻螺钉	3	
5	30110-421130010	SCREW	自攻螺钉	7	
6	6FIV-040611-7100	REAR FENDER	后挡泥板	1	
7	6KM#-040081-8000-M1	NUT CLIP M5	M5螺母夹	1	
8	6WWV-047102-5000	INNER HEX SCREW M5x14	M5×14内六角螺钉	1	
9	6KM#-040302-8000	DAMPING RUBBER SLEEVE	缓冲胶套	6	
10	6090-040303	BUSHING	衬套	6	
11	6WWV-046902-5000	INNER HEX SCREW M6x20	M6×20内六角螺钉	3	
12	30204-060810	NUT M6	螺母	3	
13	6WWV-047102-5000	INNER HEX SCREW M5x14	M5×14内六角螺钉	3	
14	6FIV-040612-7100	REAR FENDER INNER COVER	后档泥板内盖	1	
15	6FIV-041512-7100	LISENCE PLATE LIGHT LOWER COVER	牌照灯下盖	1	
16	6FIV-041511-7100	LISENCE PLATE LIGHT UPPER COVER	牌照灯上盖	1	

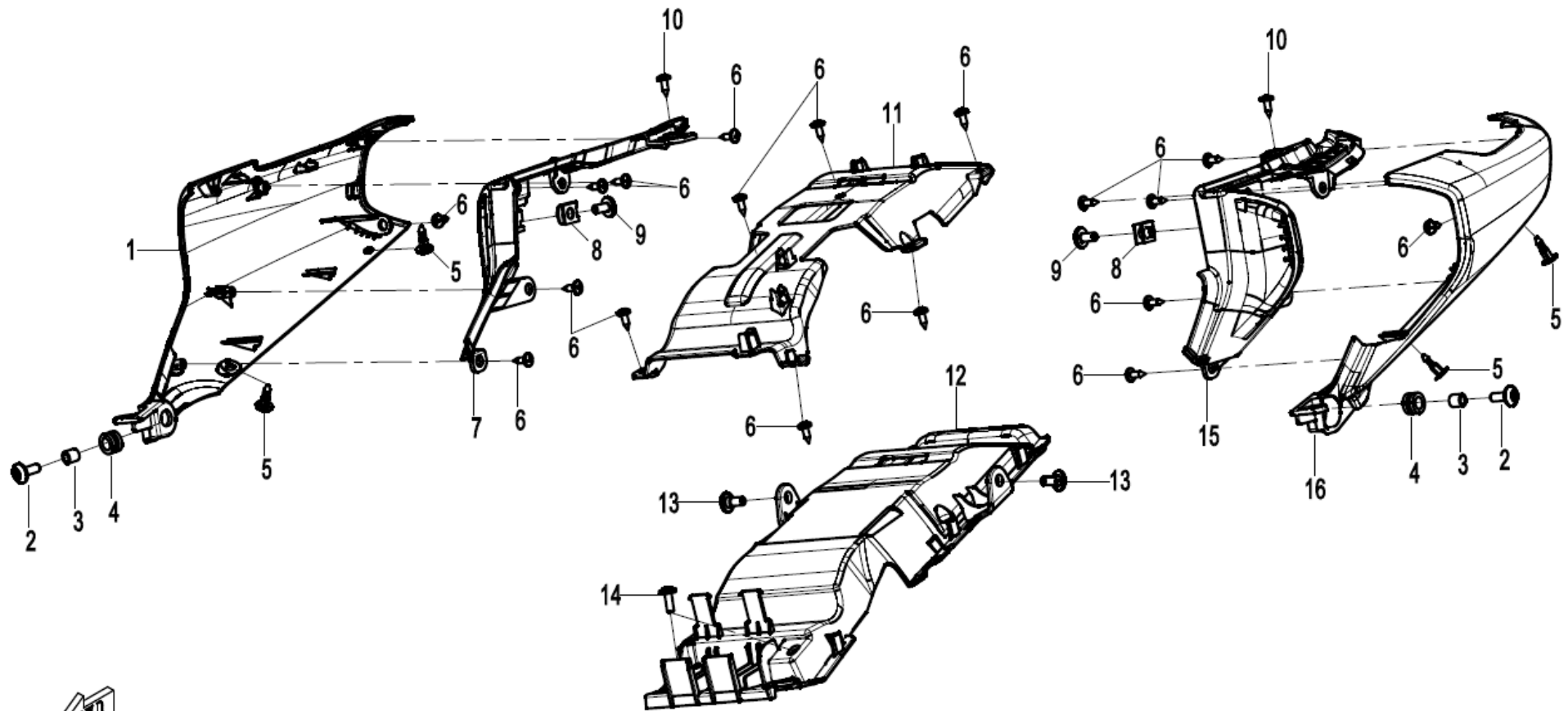
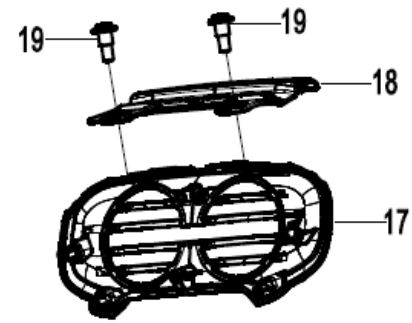
F04-6 塑料件 VI / PLASTICS VI



F04-6 塑料件 VI PLASTICS VI

Item No	Parts Number	Parts Name(EN)	Parts Name(CN)	Qty	Remark(s)
1	6FIV-040314-7100-0VR00	RH SIDE COVER DECO PART	右侧盖饰件	1	
2	6FIV-040312-7100	RH SIDE COVER	右侧盖	1	
3	30110-421130010	SCREW	自攻螺钉	6	
4	6WWV-046502-5000	STEPPED SCREW M5	M5组合台阶螺钉	4	
5	6FIV-040401-7100	RUBBER HEAD	蘑菇头橡胶套	2	
6	6FIV-040313-7100-0VR00	LH SIDE COVER DECO PART	左侧盖饰件	1	
7	6FIV-040311-7100	LH SIDE COVER	左侧盖	1	
8	6FIV-041501-7100	ELECTRIC APPLIANCE BOX	电器盒	1	
9	6WWV-046602-5000	INNER HEX STEPPED SCREW M6x14	M6x14内六角台阶螺钉	2	
10	6FIV-041502-7100	BATTERY BOX	电池盒	1	
11	6WWV-046702-5000	INNER HEX SCREW M6x12	M6x12内六角螺钉	3	
12	9010-120008	FUEL TANK SPONGE	油箱海绵块	5	

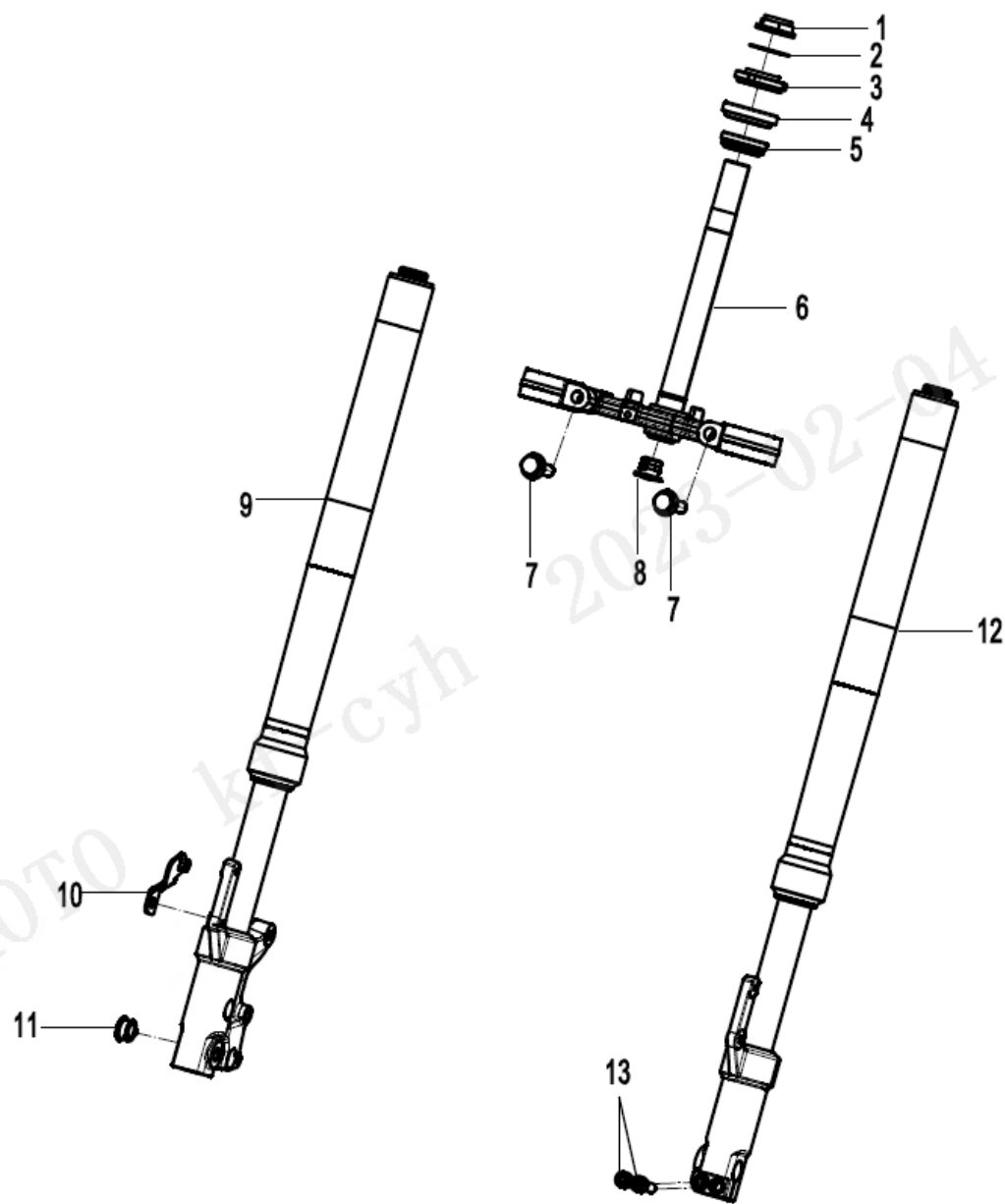
F04-7塑料件VII/PLASTICS VII



F04-7 塑料件VII PLASTICS VII

Item No	Parts Number	Parts Name(EN)	Parts Name(CN)	Qty	Remark(s)
1	6FIV-041614-7100-0VE00	TAILLIGHT RH PANEL	尾灯右护板	1	NEBULA WHITE
2	6WWV-046802-5000	INNER HEX SCREW M6x16	M6x16内六角螺钉	2	
3	6090-040303	BUSHING	衬套	2	
4	6KM#-040302-8000	DAMPING RUBBER SLEEVE	缓冲胶套	2	
5	8080-041130	PLASTIC SCREW	塑料膨胀螺钉组合	4	
6	30110-421130010	SCREW	自攻螺钉	18	ST4.2x13
7	6FIV-041617-7100	TAIL LIGHT RH PANEL DECO PARTS	尾灯右护板饰件	1	
8	8030-040800-00001	NUT CLIP M6	M6螺母夹	2	M6
9	6WWV-046702-5000	INNER HEX SCREW M6x12	M6x12内六角螺钉	2	
10	30110-420095010	SELF-TAPPING SCREW ST4.2x9.5	自攻螺钉	2	ST4.2x9.5
11	6FIV-040321-7100	REAR FRAME BASE	副车架底板	1	
12	6FIV-040322-7100	REAR FRAME PLATE	副车架隔热板	1	
13	6WWV-046602-5000	INNER HEX STEPPED SCREW M6x14	M6x14内六角台阶螺钉	2	
14	6WWV-047102-5000	INNER HEX SCREW M5x14	M5x14内六角螺钉	2	
15	6FIV-041616-7100	TAIL LIGHT LH PANEL DECO PARTS	尾灯左护板饰件	1	
16	6FIV-041613-7100-0VE00	TAILLIGHT LH PANEL	尾灯左护板	1	NEBULA WHITE
17	6FIV-041611-7100	TAIL LIGHT GUARD	尾灯罩	1	
18	6FIV-041615-7100-0VE00	TAILLIGHT UPPER PANEL	尾灯上护板	1	NEBULA WHITE
19	6NQ#-000202-6001	BOLT	凸台螺栓	2	

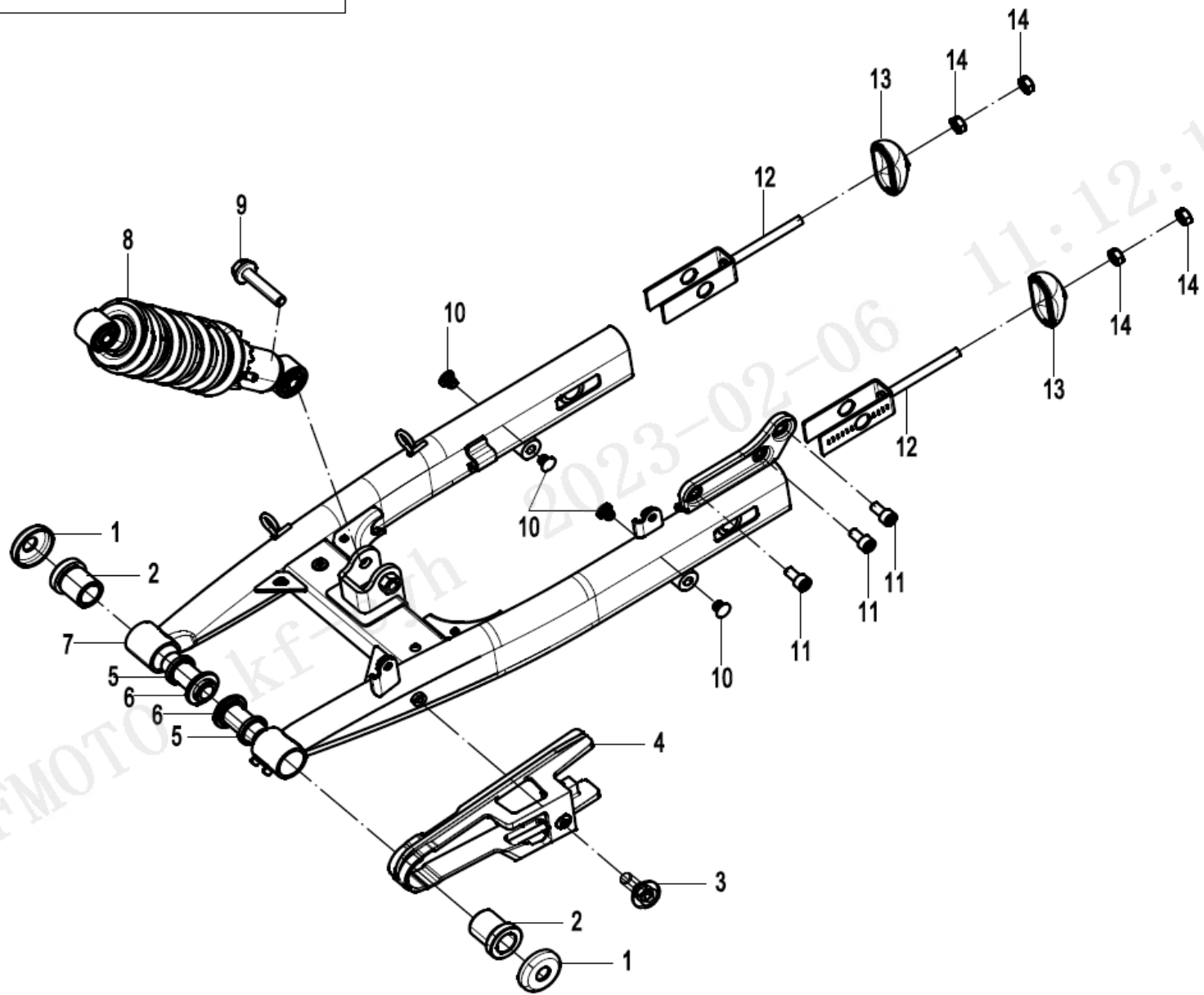
F05 前悬挂/Front Suspension



F05 前悬挂 FRONT SUSPENSION

Item No	Parts Number	Parts Name(EN)	Parts Name(CN)	Qty	Remark(s)
1	0180-062107-00001	LOCK NUT, BEVEL GEAR	锥齿轮锁定螺母	1	
2	8030-050006	GASKET, UPPER TRIPLE CLAMP	上连板垫片	1	
3	5280-050004	LOCK NUT	锁紧螺母	1	
4	5280-050110	STEEL BALL ASSY	上转向轴承组合	1	
4	5280-050101	CIRCLIP, UPPER BEARING	上转向轴承组合	1	
4	5280-050102	BEARING RACE	上转向轴承组合	1	
5	5280-050202	LOWER BEARING CIRCLIP	下转向轴承组合	1	
5	5280-050102	BEARING RACE	下转向轴承组合	1	
5	5280-050110	STEEL BALL ASSY	下转向轴承组合	1	
6	6FIV-050300-7000	LOWER TRIPLE CLAMP, FRONT FORK PIPE	前叉管下联板组合	1	
7	30006-102035810	BOLT M10x1.25x35	螺栓	2	
8	6FIV-050011-7000	RUBBER PLUG	橡胶塞	1	
9	6FIV-050200-7100-M1	FRONT RH SHOCK ABSORBER	前右减震器	1	
10	6FIV-050030-7100	FRONT FENDER REAR RH BRACKET ASSY	前挡泥板后右安装支架组件	1	
11	6FIV-050401-7000	RUBBER PLUG	橡胶堵头	1	NO ABS
12	6FIV-050100-7100-M1	FRONT LH SHOCK ABSORBER	前左减震器	1	
13	30102-080030810	SCREW	螺钉	2	M8x30

后悬挂总成/REAR SUSPENSION ASSY

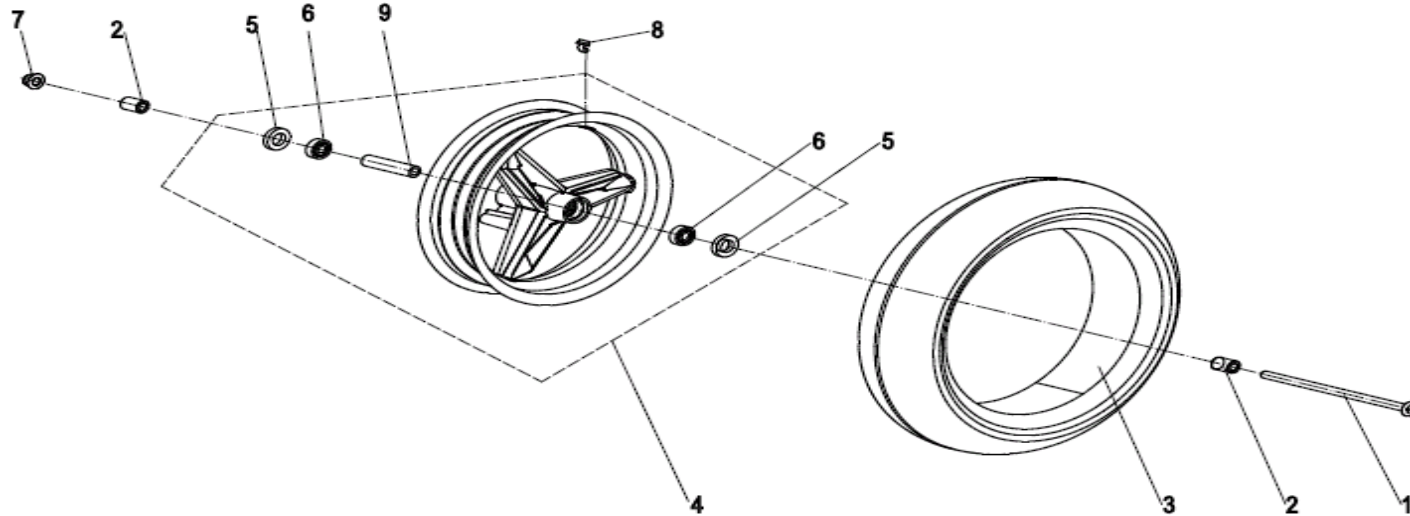


CFMOTO kf- 2023-02-06 11:12:12

F06 后悬架 REAR SUSPENSION

Item No	Parts Number	Parts Name(EN)	Parts Name(CN)	Qty	Remark(s)
1	6KMV-060010-8001	DUST BOOT COVER 1, REAR SWING ARM	后摇架防尘盖 I	2	
2	6100-060008	OUTER BUSHING, REAR SWING ARM	后摇架外衬套	2	
3	6WWV-046602-5000	INNER HEX STEPPED SCREW M6x14	M6x14内六角台阶螺钉	1	
4	6FIV-060001-7001	CHAIN GUARD	链条护卡	1	
5	6090-060005	ANTI-DUST RING	防尘圈	2	
6	6KJ0-060004-00001	RH INNER BUSHING, REAR FORK	后平叉右内衬套	2	
7	6FIV-060300-7000	REAR FORK	后平叉焊接组件	1	
8	6FIV-060100-7100-M1	REAR SHOCK ABSORBER	后减震器	1	
9	30006-102050810	BOLT M10x1.25x50	螺栓	1	
10	6KM#-100002-8000	PLUG	离合手柄胶塞	4	
11	30102-080016810	INNER HEX BOLT	内六角圆柱头螺钉	3	
12	6FIV-060020-7000	CHAIN ADJUSTER ASSY	链条调节器组合	2	
13	A000-060201-0BB0	CAP, CHAIN ADJUSTER	链条调节器挡板	2	PLASTIC POWDER
14	30200-080810	NUT M8	螺母	4	

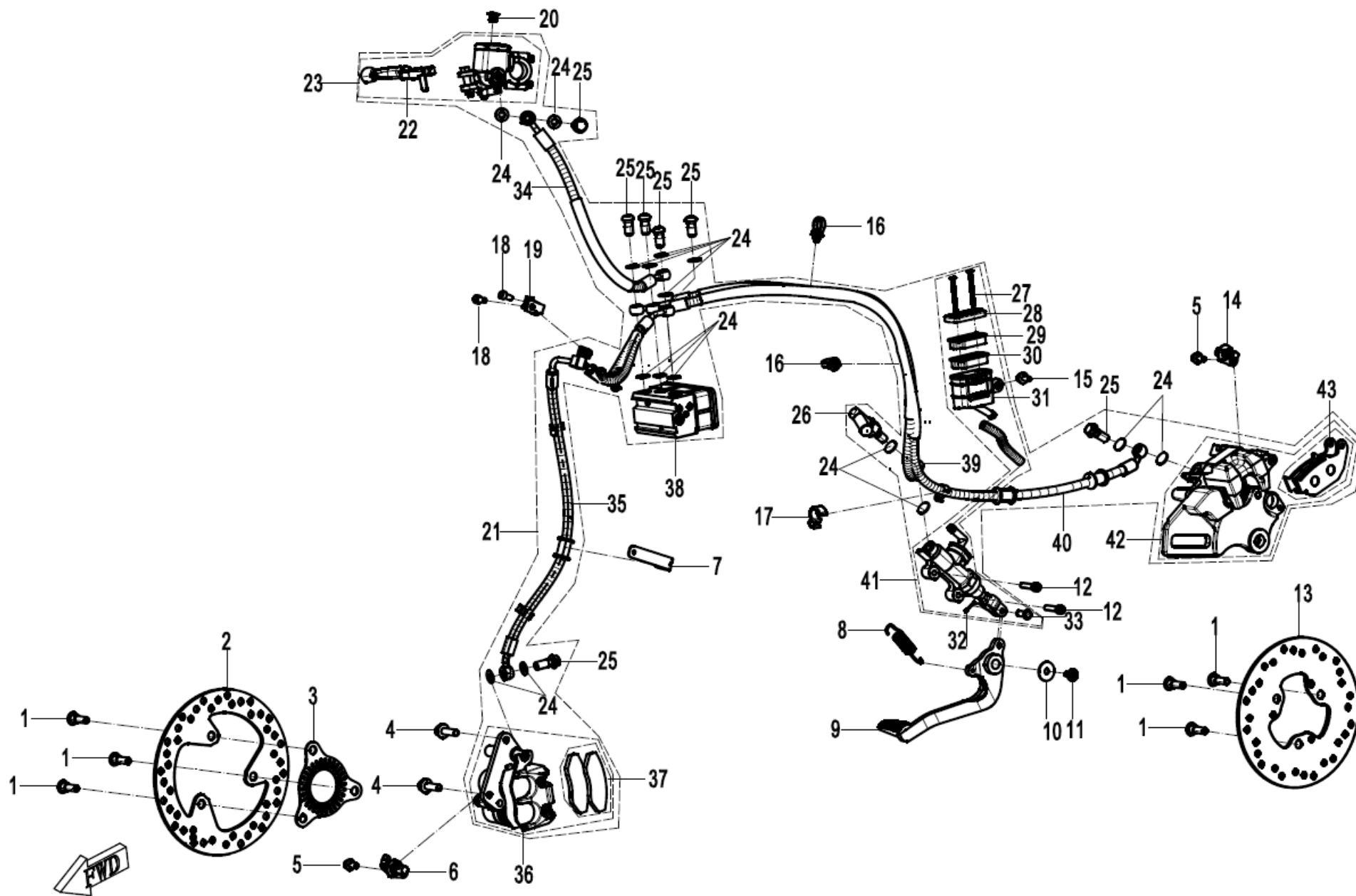
F07 前轮/FRONT WHEEL



F07 前轮 FRONT WHEEL

Item No	Parts Number	Parts Name(EN)	Parts Name(CN)	Qty	Remark(s)
01	6FIV-070001-7100	FRONT WHEEL SHAFT	前轮轴	1	
02	6KJ0-070002	COLLAR, FRONT WHEEL AXLE	前轮轴套	2	
03	30704-1209	TIRE	轮胎	1	
04	6FIV-070100-7100-0B200	FRONT RIM ASSY	前轮辋组合	1	
05	6KJV-070103-8000	OIL SEAL	油封	1	
06	30400-01280	BEARING (6201-2RS)	滚动轴承	2	
07	30204-122810	NUT M12x1.25	螺母	1	
08	5190-070030-1000	VALVE, INFLATION	气门嘴	1	
09	6FIV-070102-6000	MIDDLE BUSHING, FRONT RIM	前轮辋中隔套	1	

液压制动总成 / HYDRAULIC BRAKE ASSY

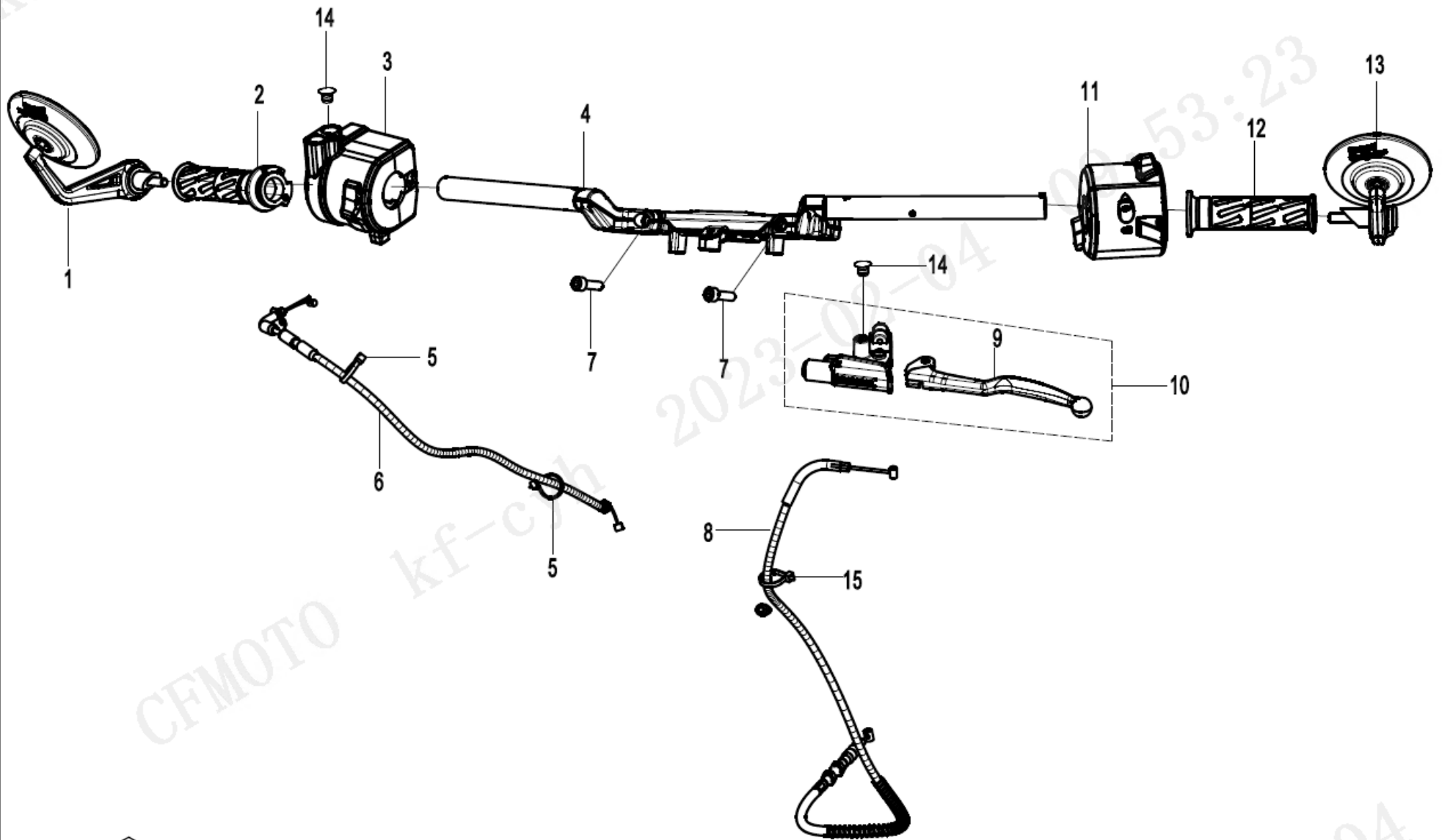


F08-A MAB液压制动总成 MAB BRAKE ASSY

Item No	Parts Number	Parts Name(EN)	Parts Name(CN)	Qty	Remark(s)
1	8010-080118	BOLT, BRAKE DISC	制动盘螺栓	6	
2	6FI3-080001	FRONT BRAKE DISC	前制动盘	1	
3	6FIV-080003-7000	FRONT GEAR RING	前齿圈	1	
4	30006-080025870	BOLT M8x25	螺栓	2	
5	30006-060012870	BOLT M6x12	螺栓	2	
6	6FIV-080004-7000-M1	SPEED SENSOR (FRONT)	轮速传感器	1	
7	6FIV-080006-7100	BRAKE FLUID CLIP 2	制动油管夹II	1	
8	6FI3-080003	RETURN SPRING, REAR BRAKE	后制动回位弹簧	1	
9	6FIV-080300-7100	REAR BRAKE PEDAL ASSY	后制动踏板组合	1	
10	A000-080006-10000	WASHER 1	垫片 I 7x24x1.6_性能等级100H	1	
11	6WWV-046702-5000	INNER HEX SCREW M6x12	M6x12内六角螺钉	1	
12	30102-060025810	SCREW M6x25	螺钉	2	
13	6FIV-080010-7000	REAR BRAKE DISC ASSY	后制动盘组合	1	
14	6NTV-080004-4101-M1	SPEED SENSOR (REAR)	轮速传感器	1	
15	30006-060012810	BOLT M6x12	螺栓	1	
17	EAEV-080006-1000	WIRE CLIP, BRAKE FLUID HOSE	制动油管卡	6	
18	30102-060012810	SCREW	螺钉	2	
19	6FIV-080007-7000	BRAKE FLUID BRACKET	制动油管安装支架	1	
20	6KM#-100002-8000	PLUG	离合手柄胶塞	1	
21	6FIV-081000-7001-M1	MAB HYDRAULIC BRAKE ASSY	MAB液压制动器总成	1	
22	6KMV-081100-B100-M1	HAND BRAKE PUMP ASSY	手刹主泵	1	
23	6KMV-081100-B000-20	BRAKE LEVER	制动手柄	1	
24	6KM#-081000-8100-20	REATAINER	垫圈	16	
25	6KM#-080103-8101	BOLT, FUEL PIPE	油管螺栓	7	
26	6KMV-081700-C000-M1	HYDRAULIC SENSOR SWITCH	液压感应开关	1	
27	A000-080229-2000	SCREW, FLUID RESERVOIR CAP	油杯盖螺钉	2	
28	6KM0-091201-20000	CAP, FLUID RESERVOIR	油杯盖	1	
29	6KM0-091202-20000	SEALING LINER, FLUID RESERVOIR	油杯密封衬板	1	
30	6KM0-091203-20000	SEALING GASKET, FLUID RESERVOIR	油杯密封垫	1	
31	6KM0-091204-20000	FLUID RESERVOIR	油杯	1	
32	30903-0201610	COTTER PIN	开口销	1	
33	30904-0602240	PIN SHAFT	销轴	1	
34	6FIV-081010-7000	FLUID INLET PIPE, FRONT BRAKE	前制动进油管	1	
35	6FIV-081020-7001	FRONT BRAKE FLUID OUTLET HOSE	前制动出油管	1	

Item No	Parts Number	Parts Name(EN)	Parts Name(CN)	Qty	Remark(s)
36	6FIV-080120-7100-M1	FRONT BRAKE CALIPER ASSY	前制动钳体组合	1	
37	6FIV-080120-71A0-M1	FRONT BRAKE PAD ASSY	前制动片组合	1	
38	6FIV-081100-7000-M1	MAB EXECUTION UNIT	MAB执行单元	1	
39	6FIV-081030-7000	FLUID INLET PIPE, REAR BRAKE	后制动进油管	1	
40	6FIV-081040-7000	REAR BRAKE FLUID OUTLET HOSE	后制动出油管	1	
41	6FIV-081200-7000-M1	REAR BRAKE MASTER CYLINDER	后刹主泵	1	
42	6FIV-080220-7100-M1	REAR BRAKE CALIPER ASSY	后制动钳体组合	1	
43	6FIV-080220-71A0-M1	REAR BRAKE PAD ASSY	后制动片组合	1	

F10转向机构总成/STEERING SYSTEM

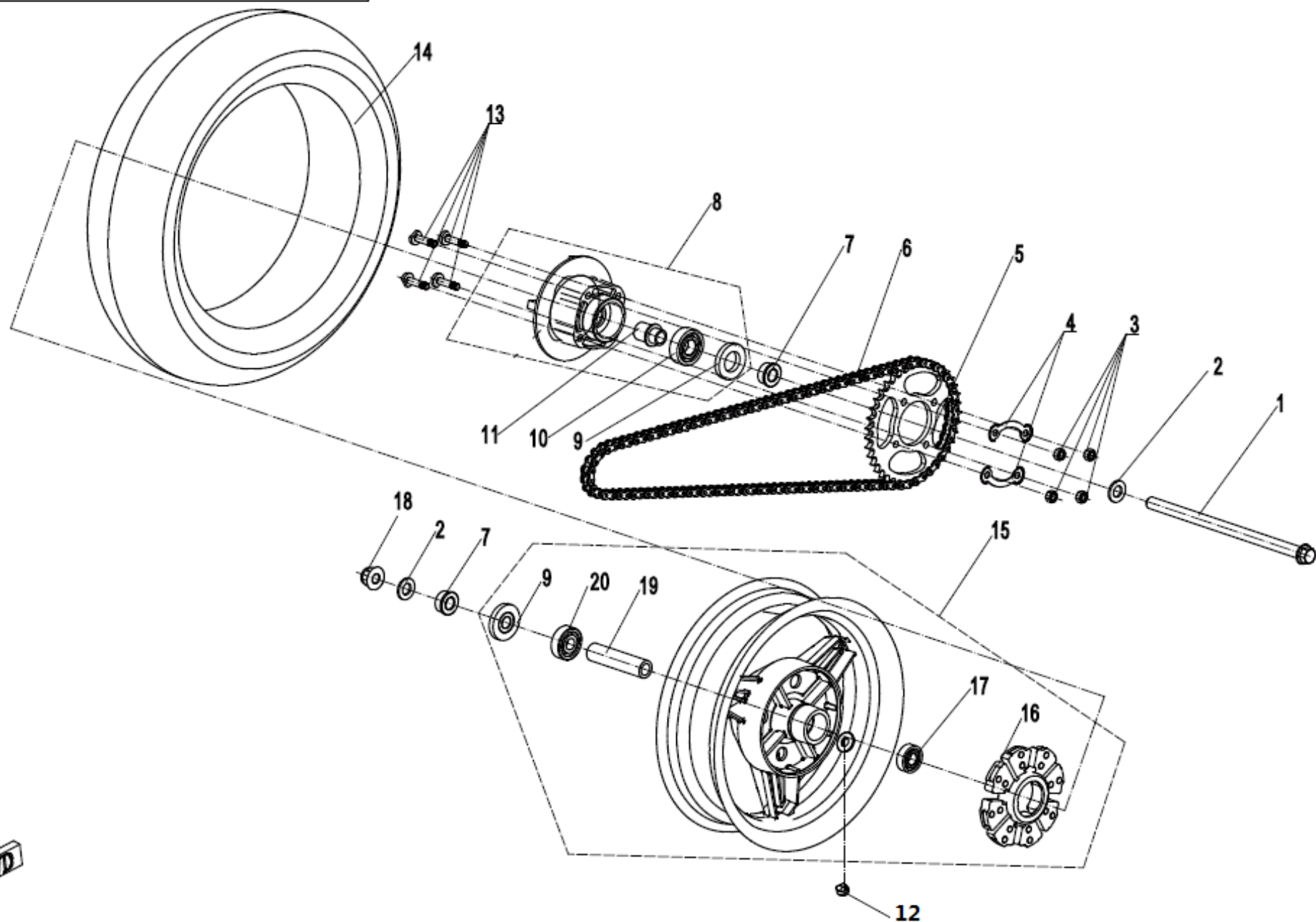


2023-02-04 09:53:23
CFMOTO kf-cy
93-02-04

F10 转向系统 STEERING SYSTEM

Item No	Parts Number	Parts Name(EN)	Parts Name(CN)	Qty	Remark(s)
1	6FIV-200400-7100	RH REAR VIEW MIRROR ASSY	右后视镜总成	1	
2	5280-100020	RH HAND GRIP ASSY	右握把组件	1	
3	6FIV-167000-5000	RH HANDLEBAR SWITCH ASSY	右手把开关总成	1	
4	6FIV-100100-7000	UPPER TRIPLE CLAMP HANDLEBAR ASSY	上连板方向把组合	1	
5	6KJ0-100002	CLUTCH PULL BINDING	离合器拉锁绑带	2	
6	6FIV-100400-7100	THROTTLE CABLE	油门拉索	1	
7	30102-080025870	INNER HEX SCREW M8x25	螺钉	2	
8	6FIV-100600-7100	CLUTCH CABLE	离合器拉索	1	
9	6FI3-100301	CLUTCH LEVER	离合手柄	1	
10	6FI3-100300-10000	CLUTCH LEVER ASSY	离合手柄组合	1	
11	6FIV-166000-7101	HANDLEBAR SWITCH, LH	左手把开关总成	1	
12	5280-100001	LH HAND GRIP	左握把	1	
13	6FIV-200300-7100	LH REAR VIEW MIRROR ASSY	左后视镜总成	1	
14	6KM#-100002-8000	PLUG	离合手柄胶塞	2	

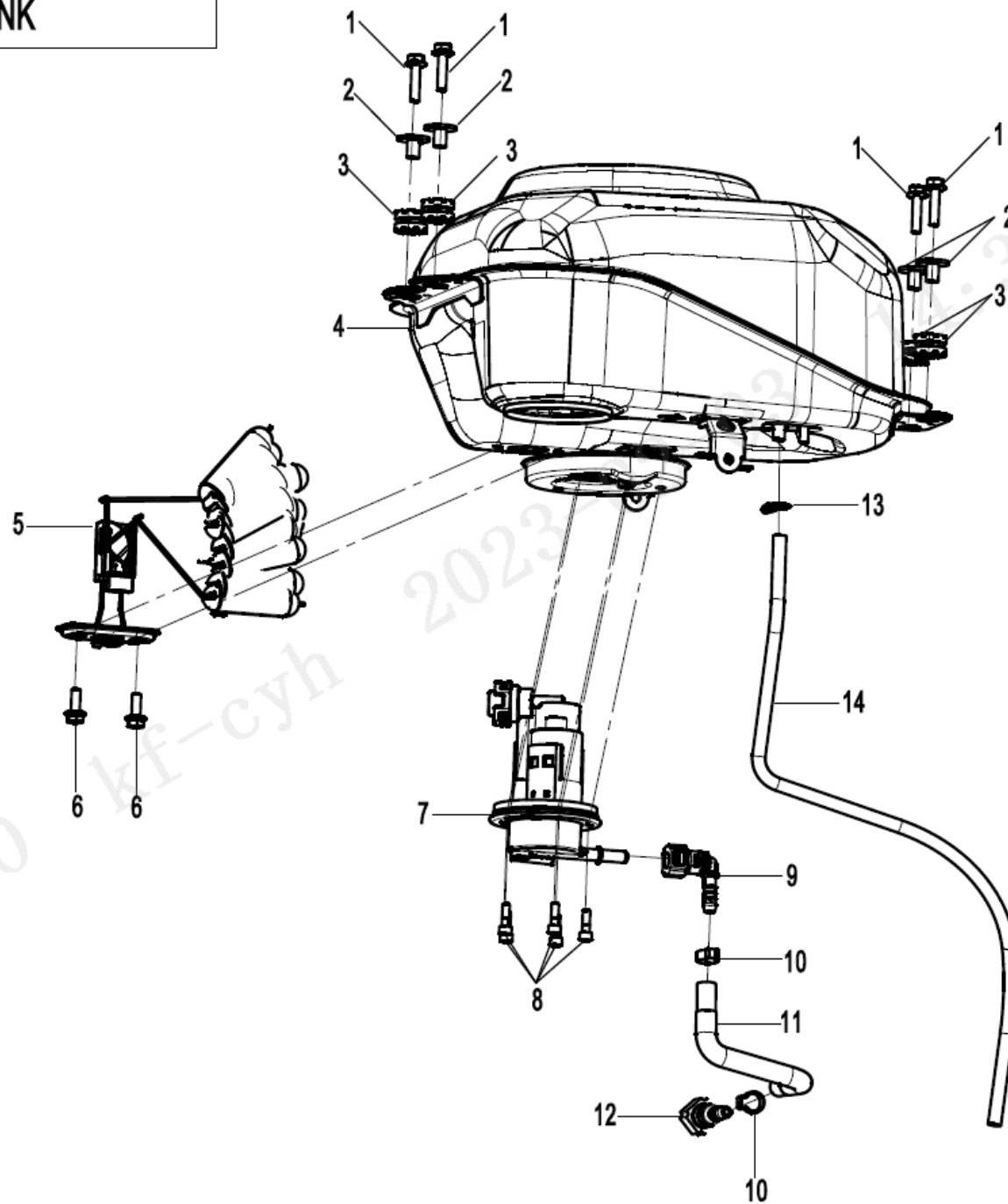
F11 后轮 REAR WHEEL



F11 后轮 REAR WHEEL

Item No	Parts Number	Parts Name(EN)	Parts Name(CN)	Qty	Remark(s)
01	6FIV-110001-7100	REAR WHEEL SHAFT	后轮轴	1	
02	30306-140112	WASHER	垫圈	2	14
03	30200-080810	NUT M8	螺母	4	
04	6KJ0-110004	LOCK PAD	锁紧片	2	
05	6FI2-110003-10000	REAR SPROCKET	后链轮	1	
06	3120909	CHAIN	链条	1	
07	6KJ0-110001-10000	RH SHAFT SLEEVE, REAR WHEEL	后轮右轴套	2	
08	6090-112100	SEAT, SPROCKET	链轮座组合	1	
09	30500-027800N	OIL SEAL (FB27x47x7)	油封	2	
10	30400-02001	BEARING (6204-RS)	滚动轴承	1	
11	5280-112101	SHAFT SLEEVE	轴套	1	
12	5190-070030-1000	VALVE, INFLATION	气门嘴	1	
13	6KJ0-110003	BOLT	链轮缓冲螺栓	4	
14	30704-1210	TIRE	轮胎	1	
15	6FIV-110100-6001-0B200	REAR RIM ASSY (MATTE BLACK)	后轮辋组合	1	
16	6KJV-110004-8000	DAMPING RUBBER, SPROCKET SEAT	链轮座缓冲块	1	
17	30400-01580	BEARING (6202-2RS)	滚动轴承	1	
18	30204-143810	NUT M14x1.5	螺母	1	
19	6FIV-110102-6000	CENTER SPACER, REAR RIM	后轮辋中隔套	1	
20	30400-01583	BEARING (6302-2RS)	滚动轴承	1	

油箱/FUEL TANK

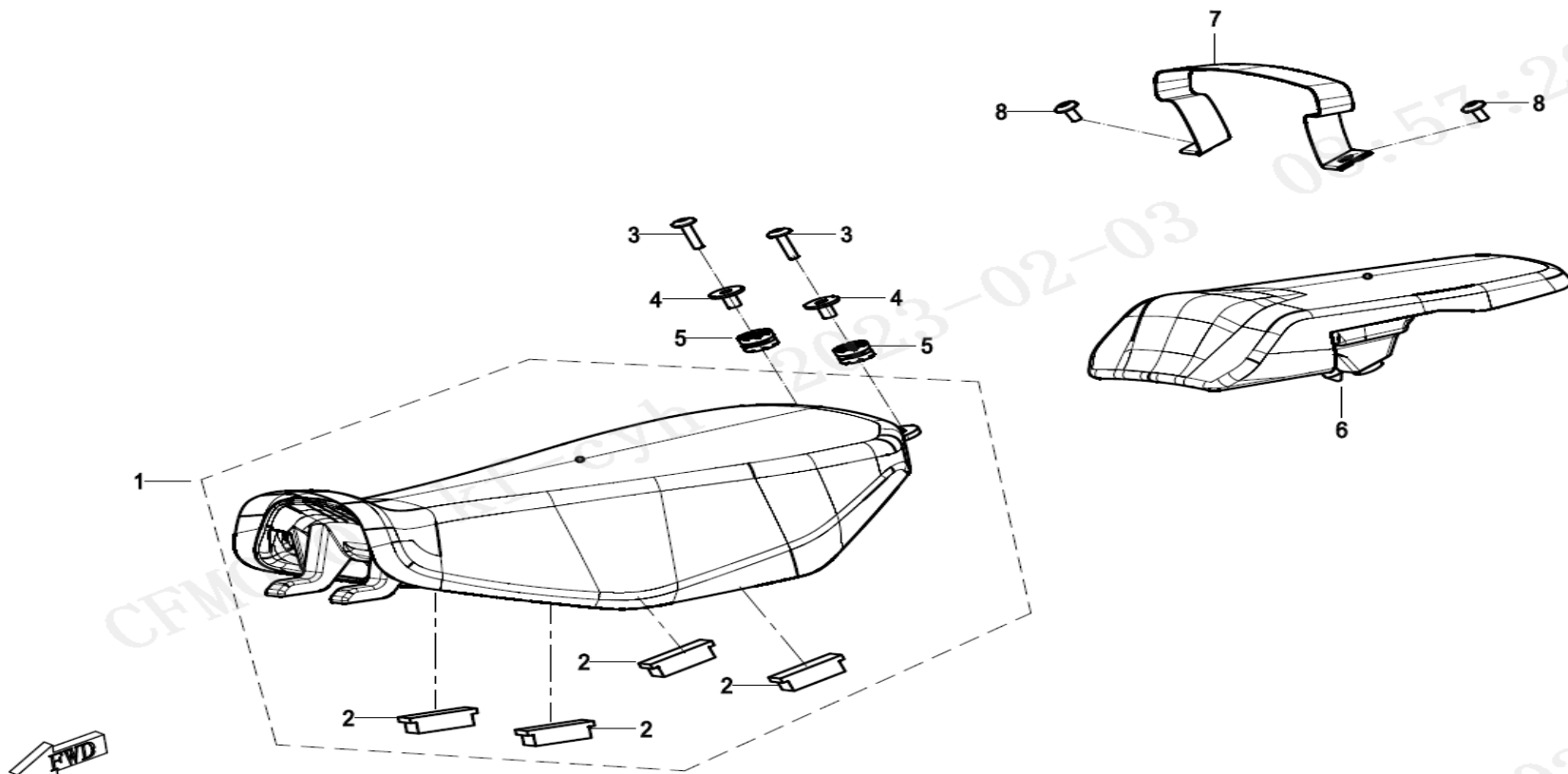


2023-02-03 1

F12 油箱 FUEL TANK

Item No	Parts Number	Parts Name(EN)	Parts Name(CN)	Qty	Remark(s)
1	30006-060025810	BOLT	螺栓	4	M6x25
2	5020-031002	RUBBER SLEEVE LINER, FRONT LICENSE BRAC	前牌照支架橡胶套衬套	4	
3	5020-031001	RUBBER SLEEVE, FRONT LICENSE BRACKET	前牌照支架橡胶胶套	4	
4	6FIV-121000-7100	FUEL TANK	油箱焊接组合	1	
5	6FIV-170200-7100-M1	LEVEL SENSOR	油位传感器	1	
6	6FI3-170500-00001	BOLT, OIL LEVER SENSOR	油位传感器安装螺栓	2	
7	6FIA-150400-6401	FUEL PUMP ASSY	油泵总成	1	
8	30102-050016810	SCREW M5x16	螺钉	5	
9	6090-120210	QUICK JOINT	快速接头	1	
10	6070-120400	CLAMP	无级环箍 (Φ14.5)	2	Dia14.5
11	6FIV-120030-7100	HIGH TENSION TUBE ASSY	高压油管组合	1	
12	6KJ0-120330-10000	QUICK JOINT	快速接头	1	
13	30601-111010	CLAMP A11	环箍A11	1	
14	6KMV-120001-C000	BREATHER HOSE, FUEL TANK	油箱通气管	1	

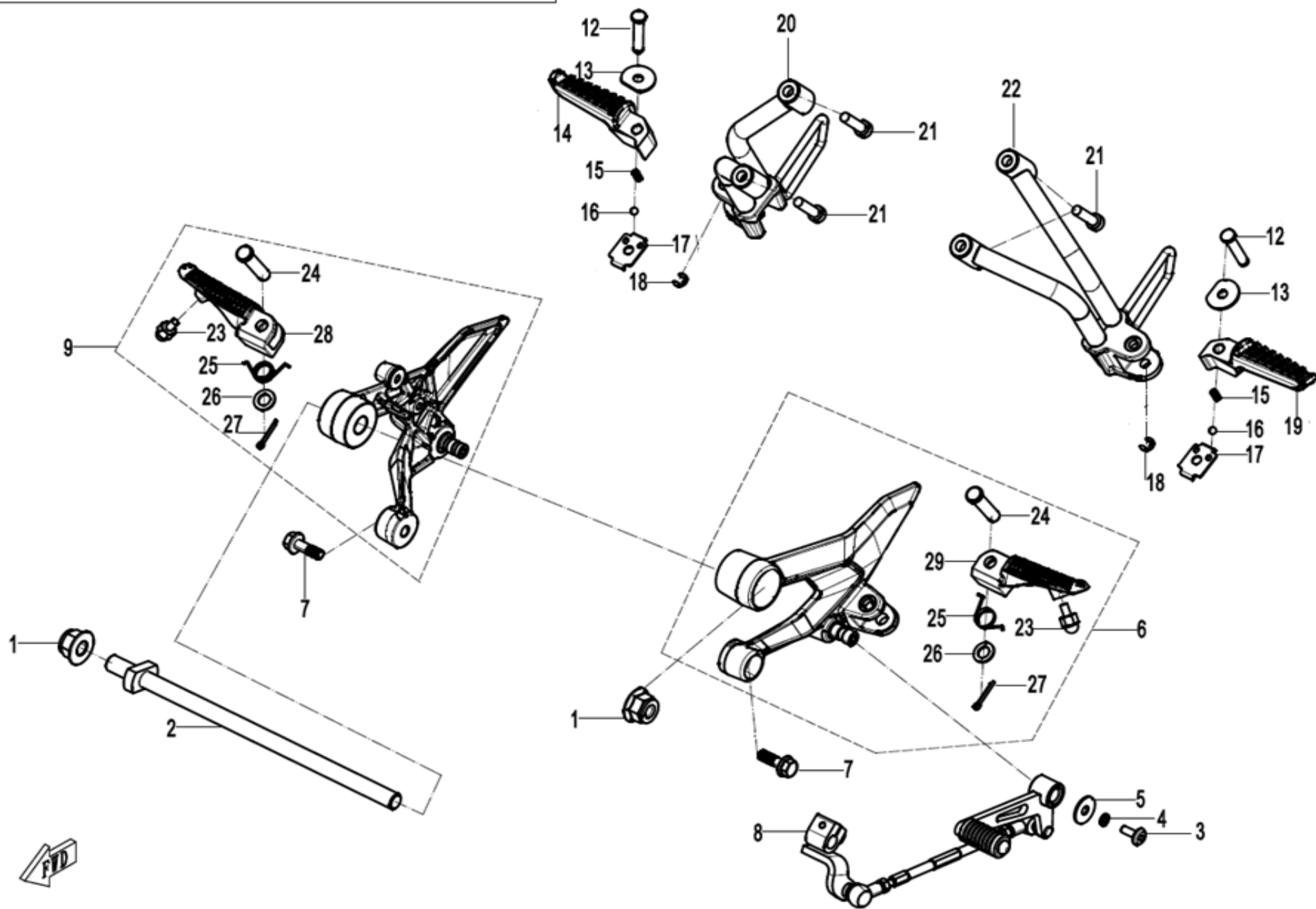
F13座垫总成/SEAT ASSY



F13 座垫 SEAT

Item No	Parts Number	Parts Name(EN)	Parts Name(CN)	Qty	Remark(s)
1	6FIV-130100-7100	FRONT SEAT ASSY	前座垫组合	1	
1	6FIV-130100-7100-10	FRONT SEAT ASSY (MOSS GREEN)	前座垫组合	1	MOSS GREEN
2	6KM#-130101-8000	DAMPING MAT	聚氨酯减震垫	4	
3	6WWV-047002-5000	INNER HEX SCREW M6x25	M6x25内六角螺钉	2	
4	6KM0-120010	T-TYPE BUSHING ASSY	T型衬套组合	2	
5	5020-031001	RUBBER SLEEVE, FRONT LICENSE BRACKET	前牌照支架橡胶胶套	2	
6	6FIV-130200-7100	REAR SEAT ASSY	后座垫组合	1	
6	6FIV-130200-7100-10	REAR SEAT ASSY (MOSS GREEN)	后座垫组合	1	MOSS GREEN
7	6GUV-130300-7001	TIE STRAP KIT	拉带组合	1	
8	6WWV-046802-5000	INNER HEX SCREW M6x16	M6x16内六角螺钉	2	

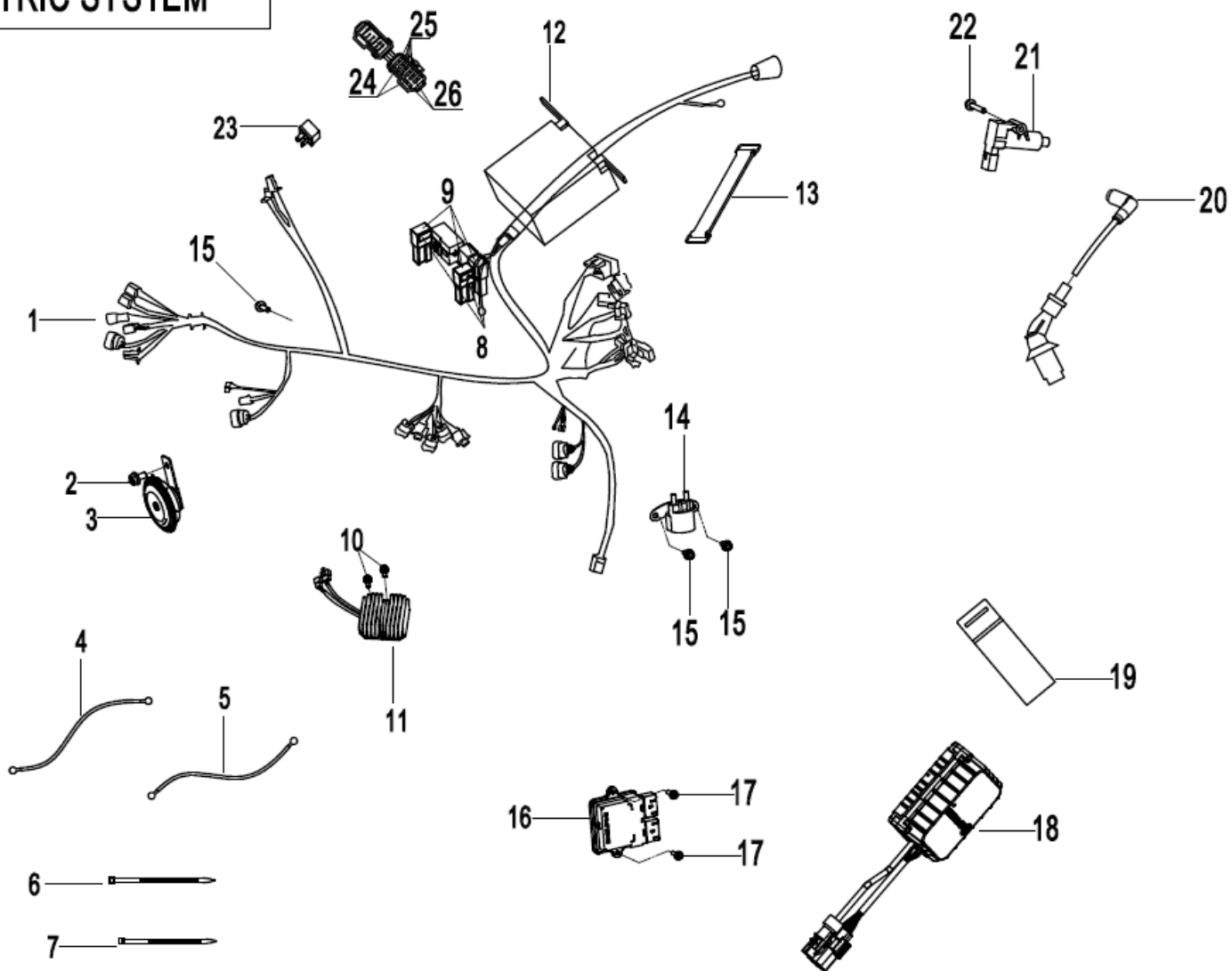
F14 脚踏总成/PEDAL ASSY



F14 脚蹬 FOOTREST

Item No	Parts Number	Parts Name(EN)	Parts Name(CN)	Qty	Remark(s)
1	30204-143810	NUT M14x1.5	螺母	2	
2	6FIV-060007-7100	REAR FORK SHAFT	后平叉轴	1	
3	6WWV-046802-5000	INNER HEX SCREW M6x16	M6x16内六角螺钉	1	
4	30303-060152	WASHER	垫圈	1	
5	30301-060470	RETAINER	垫圈	1	
6	6FIV-142000-7100	LH FRONT FOOTREST BRACKET	左前脚蹬总成	1	
7	30006-080025810	BOLT	螺栓	2	M8x25
8	6FIV-141000-7100	GRARSHIFT ASSY	变档组件	1	
9	6FIV-143000-7100	RH FRONT FOOTREST ASSY	右前脚蹬总成	1	
12	A000-140142	PIN SHAFT Dia 8	销轴φ8	2	
13	A000-140106	LOCATING GASKET 2	定位垫片II	2	
14	A000-140109	REAR FOOTREST, RH	右后脚蹬	1	
15	5190-037813	SPRING	弹簧	2	
16	5190-037814	STEEL BALL	钢珠	2	
17	A000-140104	LOCATING GASKET 1	定位垫片I	2	
18	30802-00603	CIRCLIP 6	开口挡圈6	2	
19	A000-140108	REAR FOOTREST, LH	左后脚蹬	1	
20	6FIV-140300-7100	RH REAR FOOTREST BRACKET	右后脚蹬支架	1	
21	30102-080025810	SCREW M8x25	螺钉	4	
22	6FIV-140200-7100	LH REAR FOOTREST BRACKET	左后脚蹬支架	1	
23	A010-140123	LIMIT BOLT	限位螺栓	2	
24	6WWV-140141-5000	PIN SHAFT	销轴	2	
25	A000-140103-20000	SPRING	扭簧	2	
26	30300-100112	WASHER	垫圈	2	
27	30903-0322210	COTTER PIN	开口销	2	3.2x22
28	6FIV-140900-7100	RH FRONT FOOTREST BRACKET	右前脚蹬座	1	
29	6FIV-140800-7100	LH FRONT FOOTREST BRACKET	左前脚蹬座	1	

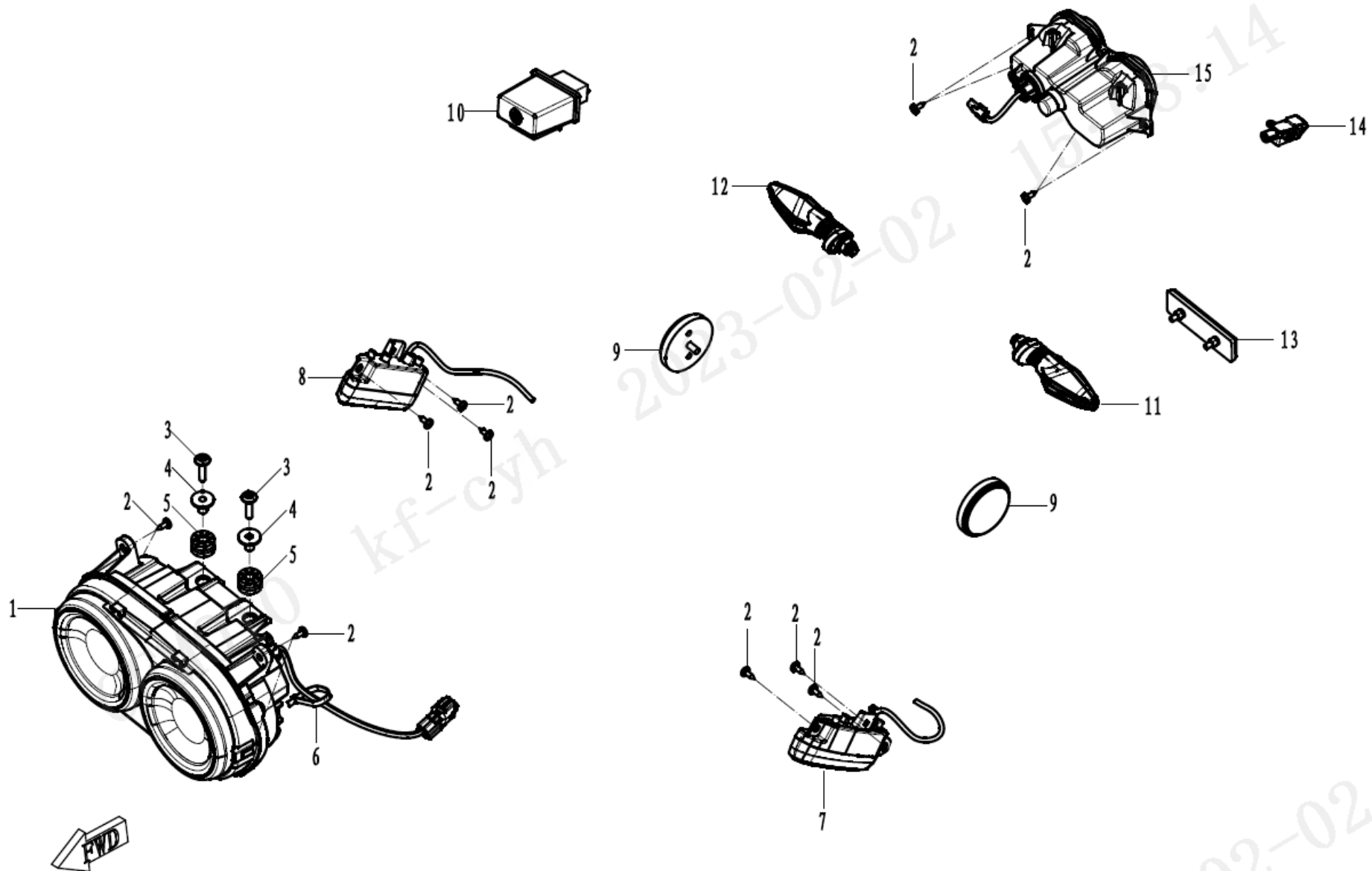
F15 电器系统/ELECTRIC SYSTEM



F15-A 电器系统(ABS) ELECTRIC SYSTEM(ABS)

Item No	Parts Number	Parts Name(EN)	Parts Name(CN)	Qty	Remark(s)
1	6FIV-150100-7001	MAIN CABLE	主线束	1	
2	6FIV-150600-7000	HORN	喇叭	1	
3	30006-080014810	BOLT M8x14	螺栓	1	
4	6FIV-150420-7100	BATTERY NEGATIVE CABLE	蓄电池负极线	1	
5	6FIV-150176-7101	LICENSE PLATE CABLE	牌照灯转接线	1	
8	9010-150002	RUBBER RING, AUXILIARY RELAY	辅助继电器橡胶圈	3	
9	CFCV-150524-2000-M1	AUXILIARY RELAY	辅助继电器	3	
10	30006-060022810	BOLT	螺栓	2	
11	6FI3-150700	REGULATOR	整流调压器	1	
12	96100V030000	BATTERY	蓄电池	1	
13	1080-150700	TIE BAND, BATTERY	蓄电池拉带	1	
14	5270-150500	STARTER RELAY	起动继电器	1	
15	30006-060012810	BOLT M6x12	螺栓	2	
16	6FIV-001000-7000	ECM ASSY	ECM总成	1	
17	30102-060012810	SCREW	螺钉	2	
18	SN1V-691100-1200-11	T-BOX	智能中控	1	
19	6KMV-150901-B001	RUBBER RING, T-BOX	T-BOX橡胶圈	1	
20	6FIV-003500-7100	HIGH TENSION CABLE ASSY	高压线总成	1	
21	6FIV-003400-8000	IGNITION COIL	点火线圈	1	
22	30006-060035810	BOLT M6x35	螺栓	1	
23	6090-150500	DIODE, STARTER	起动二极管	3	
24	8010-151301	FUSE 5A	保险丝_5A	2	
25	806A-151305	FUSE 15A	保险丝_15A	5	
26	806A-151308	30A FUSE	30A保险丝	2	

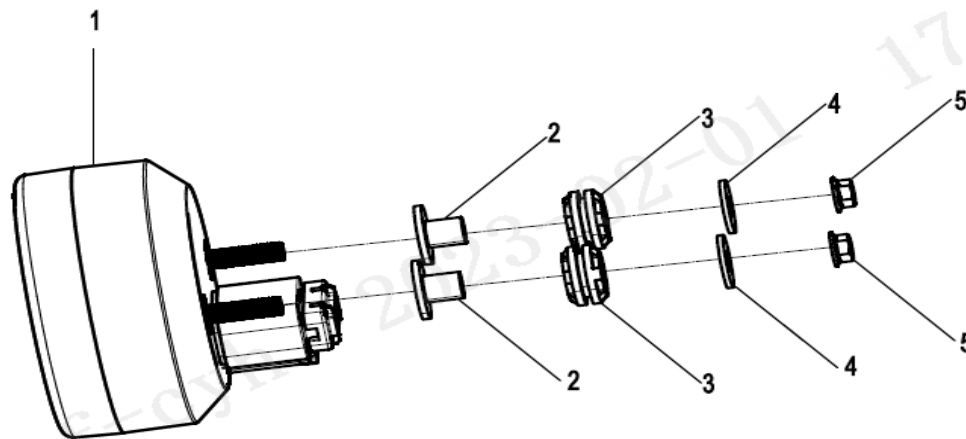
F16照明及信号总成/LAMP ASSY



F16 灯具 LIGHTS

Item No	Parts Number	Parts Name(EN)	Parts Name(CN)	Qty	Remark(s)
1	6FIV-160110-7101	HEADLIGHT	前照灯	1	
2	30110-421130010	SCREW	自攻螺钉	14	ST4.2x13
3	6GU#-000201-6000	INNER HEX SCREW M6x25	内六角螺钉M6x25	2	
4	6GU#-000202-6000	T SHAPE BUSHING KIT	T型衬套组合	2	
5	5020-031001	RUBBER SLEEVE, FRONT LICENSE BRACKET	前牌照支架橡胶胶套	2	
7	6FIV-165100-7101	LH FRONT TURN LIGHT ASSY	左前转向灯组合	1	
8	6FIV-165200-7101	RH FRONT TURN LIGHT ASSY	右前转向灯组合	1	
9	9GQV-160920-1401-M1	FRONT SIDE REFLECTOR	前侧反射器	2	
10	6FIV-161000-7100	FLASHER	闪烁器	1	
11	6KWV-160530-1000	LH REAR TURN LIGHT ASSY	左后转向灯组合	1	
12	6KWV-160540-1000	RH REAR TURN LIGHT ASSY	右后转向灯组合	1	
13	6KM0-160230-00001	REAR REFLECTOR	后反射器	1	
14	6GUV-160600-6200	LICENSE LIGHT	牌照灯	1	
15	6FIV-160200-7101	TAIL LIGHT	后尾灯	1	

仪表总成/DASHBOARD ASSY



F17 仪表 DASHBOARD

Item No	Parts Number	Parts Name(EN)	Parts Name(CN)	Qty	Remark(s)
1	6FIV-171000-7100	DASHBOARD	仪表	1	
2	6090-040303	BUSHING	衬套	2	
3	6WWV-030019-5000	RUBBER BUSHING	缓冲橡胶套	2	
4	30301-060470	RETAINER	垫圈	2	
5	30202-060110	NUT M6	螺母	2	

6FIV-190100-7101-12 个性贴花总成

格林绿配色 [ABS版]



F19-2-B 贴花 (格林绿-ABS) DECAL (MOSS GREEN-ABS)

Item No	Parts Number	Parts Name(EN)	Parts Name(CN)	Qty	Remark(s)
1	6FIV-190101-7101-12	LH COMMERCIAL NAME DECAL	左商品名贴花	1	
2	6FIV-190102-7101-12	RH COMMERCIAL NAME DECAL	右商品名贴花	1	
3	6FIV-190103-7100-12	LH MORE FUN DECAL	左MORE FUN贴花	1	
4	6FIV-190104-7100-12	RH MORE FUN DECAL	右MORE FUN贴花	1	
5	6FIV-190105-7100-12	LH CFMOTO DECAL	左CFMOTO贴花	1	
6	6FIV-190106-7100-12	RH CFMOTO DECAL	右CFMOTO贴花	1	
7	6FIV-190108-7100-12	LH ABS DECAL	左ABS贴花	1	
8	6FIV-190109-7100-12	RH ABS DECAL	右ABS贴花	1	

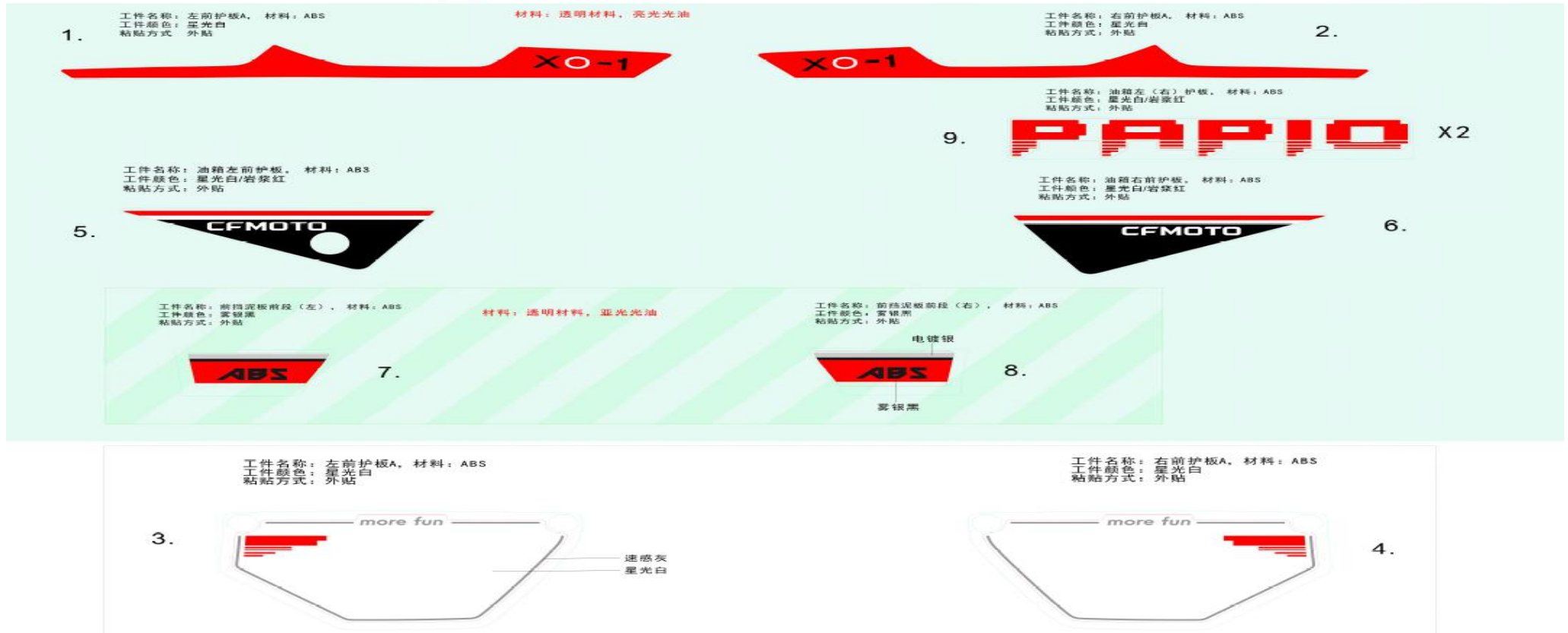
6FIV-190100-7101-13 个性贴花总成

蒙扎红配色 [ABS版]

-  亮白亮光
-  亮白哑光
-  透明亮光
-  透明哑光
-  透明内贴

刀模线(半模线) 覆膜线(整模线)

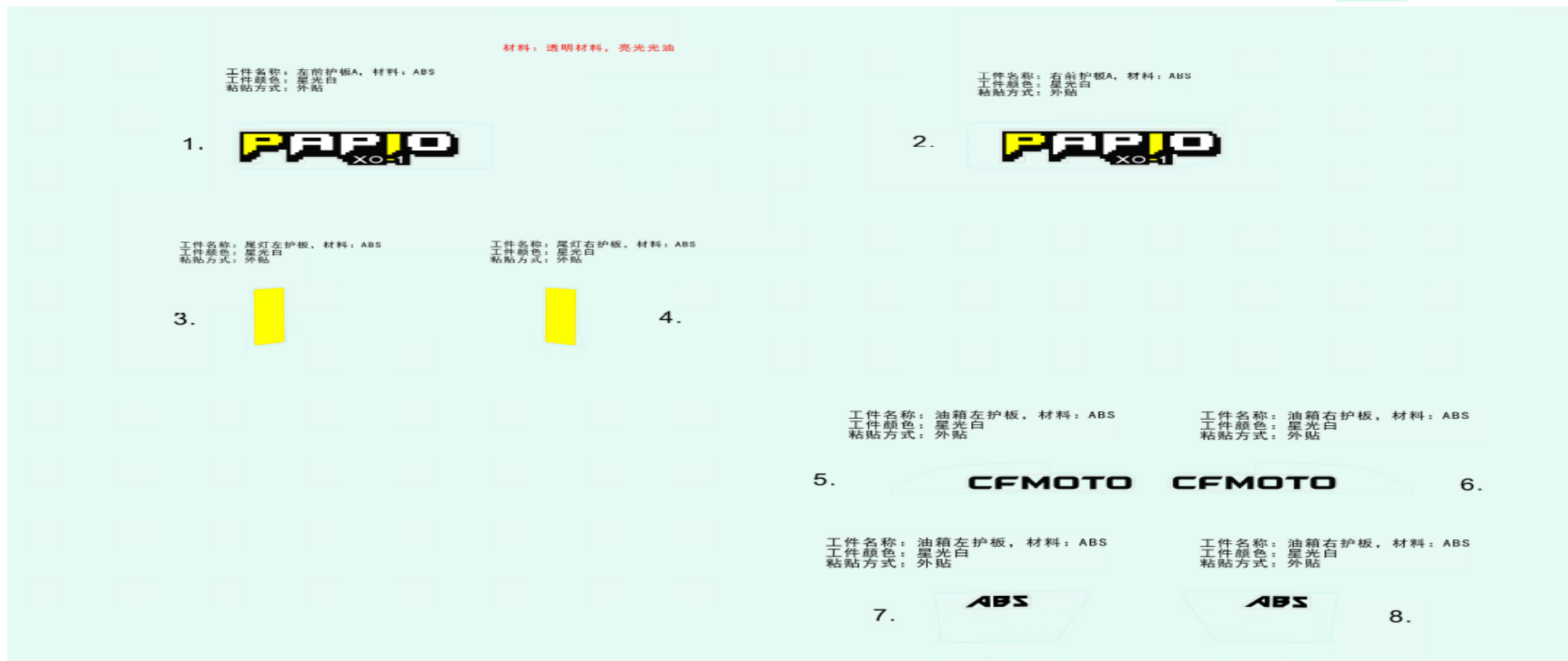
-  岩蒙红
-  星光黑
-  星光白
-  电镀银
-  钛金灰
-  透感灰



F19-2-C 贴花(蒙扎红-ABS) DECAL (FIERY RED--ABS)

Item No	Parts Number	Parts Name(EN)	Parts Name(CN)	Qty	Remark(s)
1	6FIV-190101-7100-13	LH FRONT PANEL A DECAL	左前护板A贴花	1	
2	6FIV-190102-7100-13	RH FRONT PANEL A DECAL	右前护板A贴花	1	
3	6FIV-190103-7100-13	LH MORE FUN DECAL	左MORE FUN贴花	1	
4	6FIV-190104-7100-13	RH MORE FUN DECAL	右MORE FUN贴花	1	
5	6FIV-190105-7100-13	LH CFMOTO DECAL	左CFMOTO贴花	1	
6	6FIV-190106-7100-13	RH CFMOTO DECAL	右CFMOTO贴花	1	
7	6FIV-190108-7100-13	LH ABS DECAL	左ABS贴花	1	
8	6FIV-190109-7100-13	RH ABS DECAL	右ABS贴花	1	
9	6FIV-190110-7100-13	COMMERCIAL NAME DECAL	商品名贴花	2	

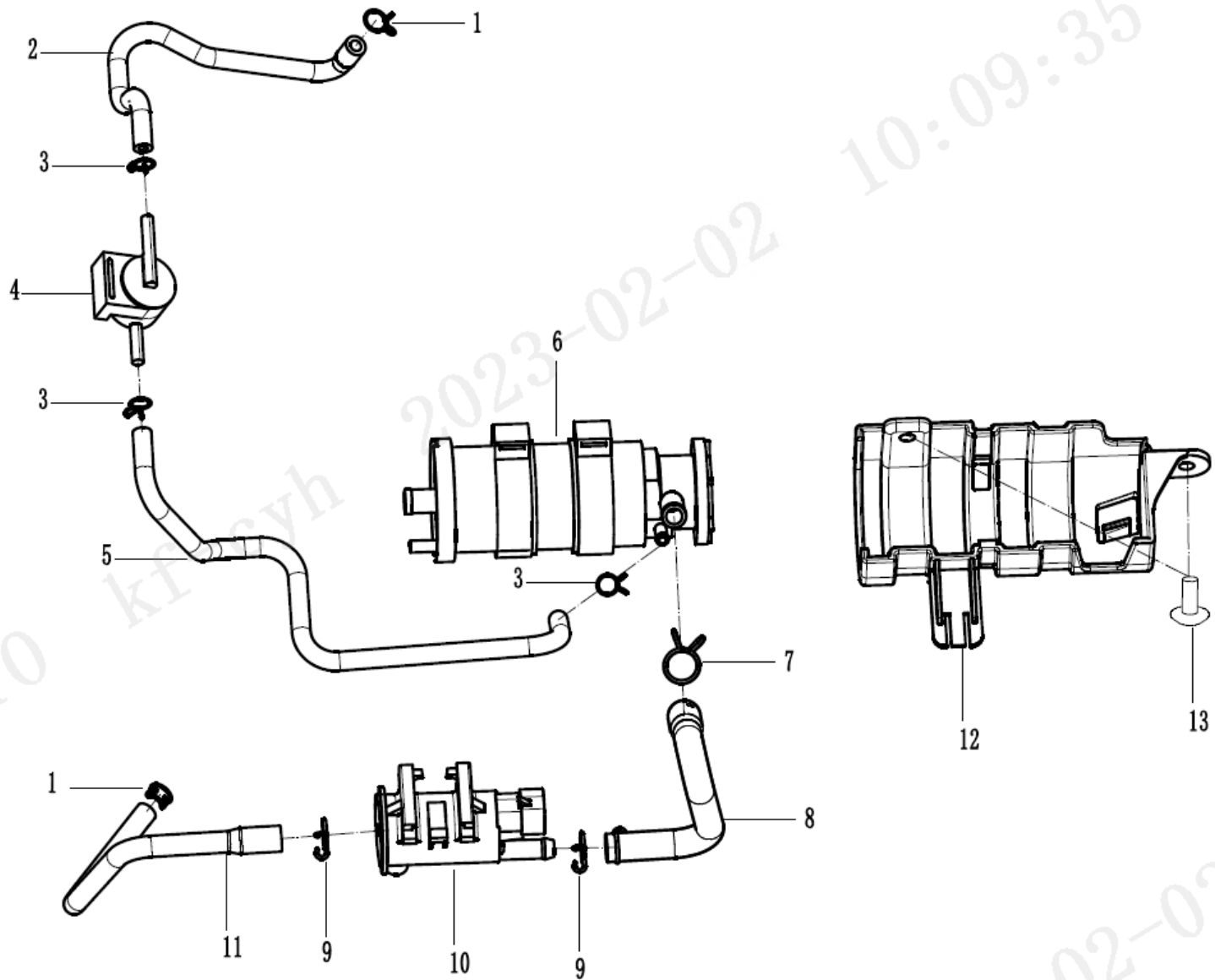
6FIV-190100-7101-11 个性贴花总成 盐滩白配色 [ABS版]



F19-2-D 贴花 (盐滩白-ABS) DECAL (NEBULA WHITE-ABS)

Item No	Parts Number	Parts Name(EN)	Parts Name(CN)	Qty	Remark(s)
1	6FIV-190101-7100-10	LH COMMERCIAL NAME DECAL	左商品名贴花	1	
2	6FIV-190102-7100-10	RH COMMERCIAL NAME DECAL	右商品名贴花	1	
3	6FIV-190103-7100-10	TAILLIGHT LH PANEL DECAL	尾灯左护板贴花	1	
4	6FIV-190104-7100-10	TAILLIGHT RH PANEL DECAL	尾灯右护板贴花	1	
5	6FIV-190105-7100-10	LH CFMOTO DECAL	左CFMOTO贴花	1	
6	6FIV-190106-7100-10	RH CFMOTO DECAL	右CFMOTO贴花	1	
7	6FIV-190108-7100-11	LH ABS DECAL	左ABS贴花	1	
8	6FIV-190109-7100-11	RH ABS DECAL	右ABS贴花	1	

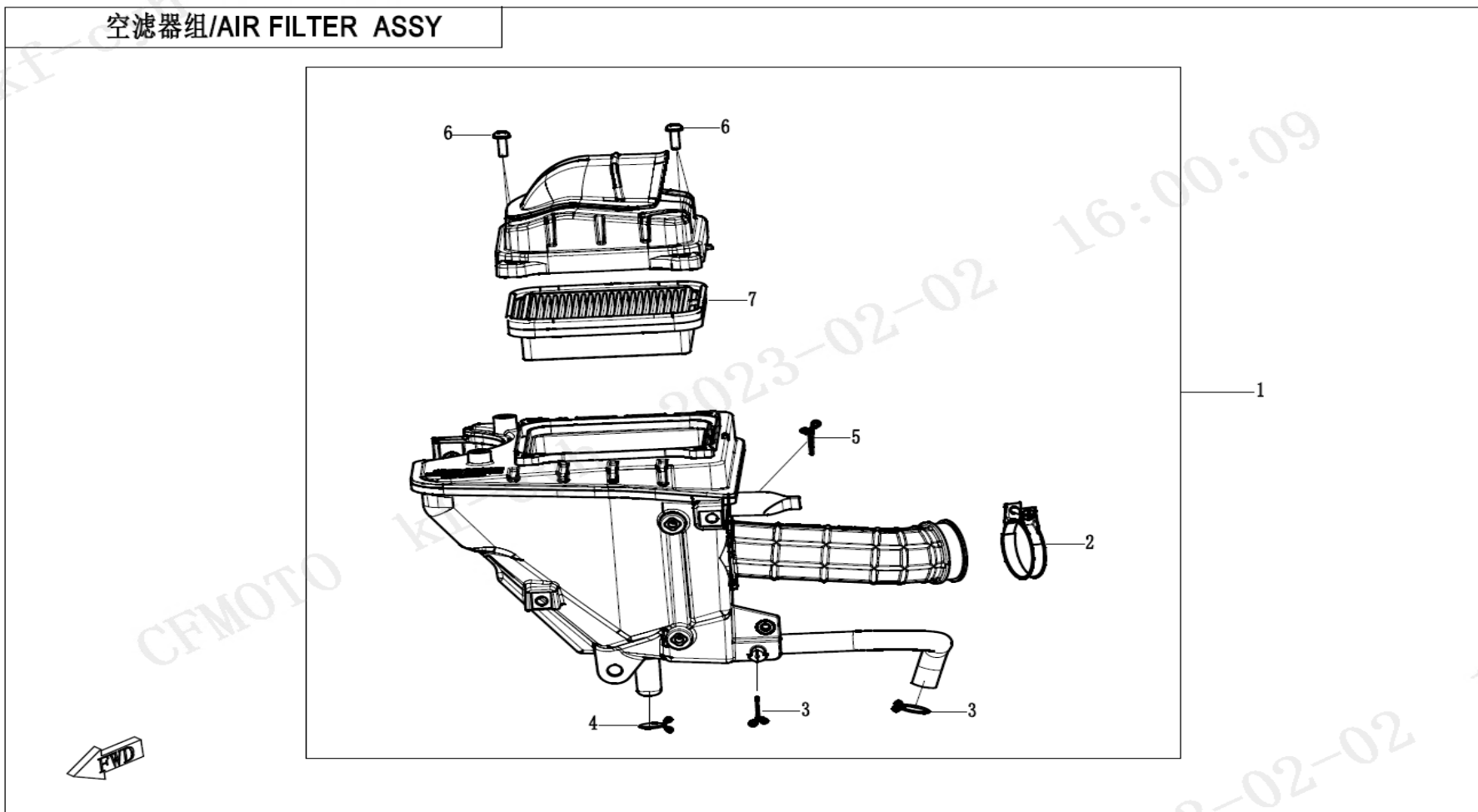
燃油蒸发系统/FUEL EVAPORATION SYSTEM



F36 燃油蒸发系统 FUEL VAPORIZATION SYSTEM

Item No	Parts Number	Parts Name(EN)	Parts Name(CN)	Qty	Remark(s)
1	30601-109010	CLAMP A9	环箍	2	
2	6FIV-360001-7100	FUEL VAPOR ADSORPTION HOSE 1	燃油蒸汽吸附管I	1	
3	30601-108010	CLAMP A8	环箍A8	3	
4	606B-360100	ANTI-ROLLOVER VALVE	防倾倒阀	1	
5	6FIV-360002-7100	FUEL VAPOR ADSORPTION HOSE 2	燃油蒸汽吸附管II	1	
6	6FIV-360200-7100	CANISTER VALVE	炭罐	1	
7	30601-114010	CLAMP A14	环箍	1	
8	6FIV-360003-7100	FUEL VAPOR DESORPTION HOSE 1	燃油蒸汽脱附管I	1	
9	30601-112010	CLAMP A12	环箍	2	
10	6FIV-003200-8000	CANISTER MAGNETIC VALVE	碳罐电磁阀	1	
11	6FIV-360004-7100	FUEL VAPOR DESORPTION HOSE 2	燃油蒸汽脱附管II	1	
12	6FIV-041503-7100	CANISTER BOX	碳罐盒	1	
13	6WWV-046702-5000	INNER HEX SCREW M6x12	M6x12内六角螺钉	2	

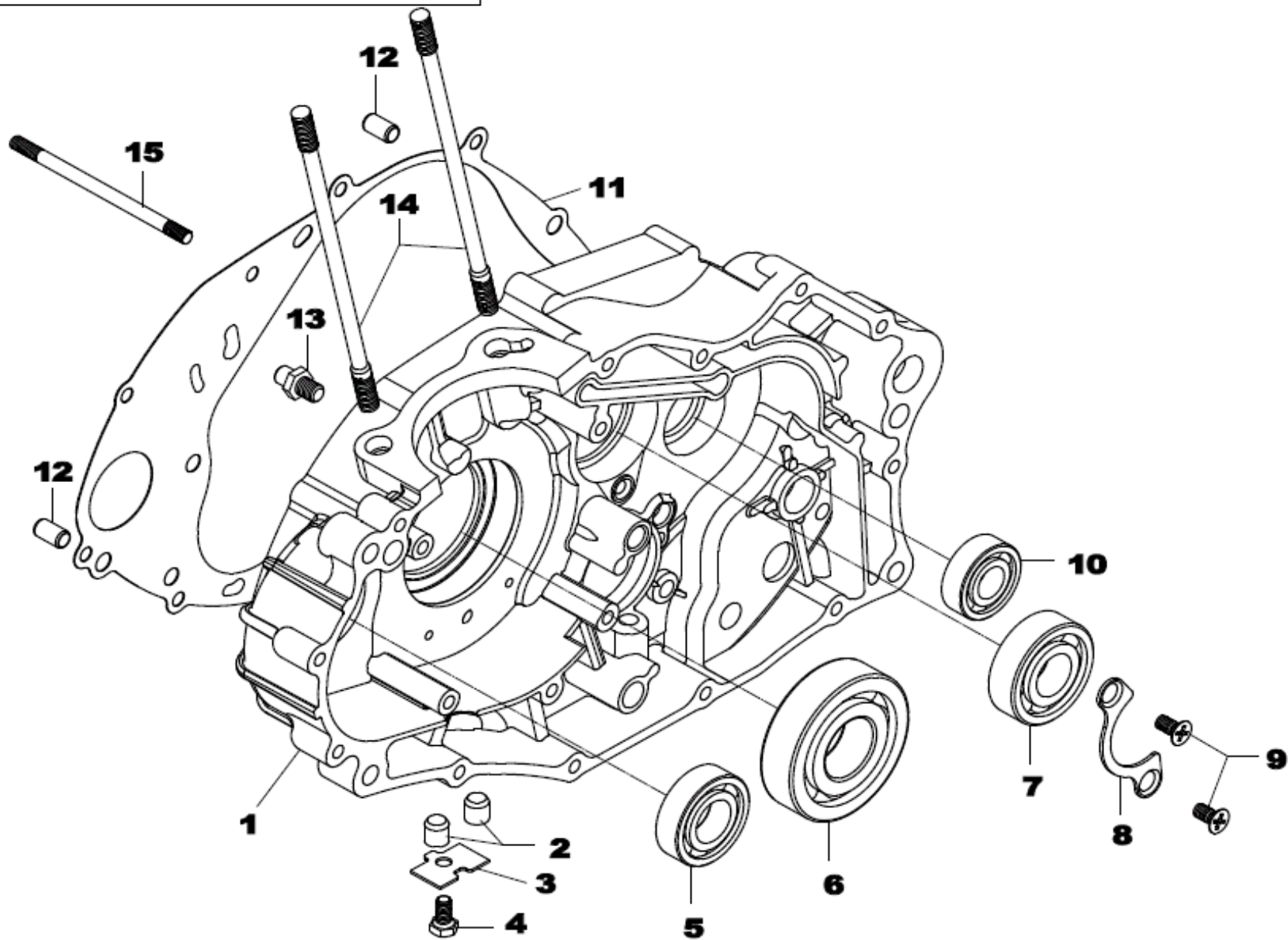
空滤器组/AIR FILTER ASSY



F41 空滤器 AIR FILTER

Item No	Parts Number	Parts Name(EN)	Parts Name(CN)	Qty	Remark(s)
1	OKIV-110000-4000	AIR FILTER ASSY	空滤器总成	1	
2	OKIA-110100	d44 CLAMP ASSY	d44卡箍组件	1	
3	30601-114010	CLAMP A14	环箍	2	
4	30601-113510	CLAMP	环箍	1	
5	30601-117010	CLAMP A17	环箍	1	
6	30112-050016440	SCREW COMP	螺钉组合件	4	
7	OKIV-112000-4000	FILTER ELEMENT	滤芯组件	1	

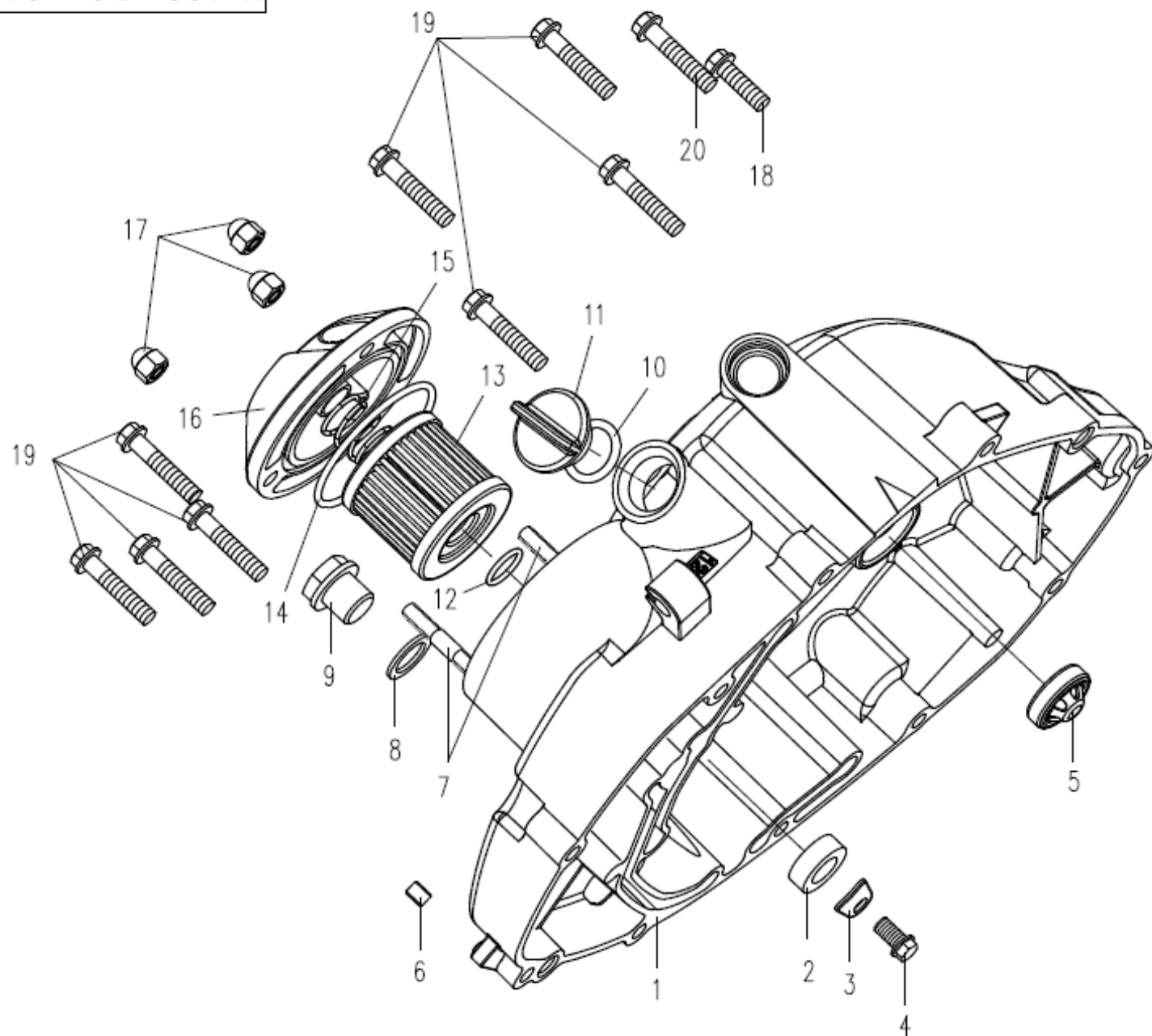
E01-2 右曲轴箱分总成/RIGHT CRANKCASE



E01-2 右曲轴箱分总成 RIGHT CRANKCASE ASSY.

Item No	Parts Number	Parts Name(EN)	Parts Name(CN)	Qty	Remark(s)
01	0K12-012100-0B20	RH CRANKCASE	右曲轴箱	1	
02	0A70-012007	PLUG	堵头	2	
03	0A70-012006	PRESS PLATE, OIL PASSAGE	油道压板	1	
04	30004-060012820	BOLT M6x12	螺栓	1	
05	30400-02008	BEARING (6104)	滚动轴承	1	
06	30400-02801	BEARING (63/28/P53)	滚动轴承	1	
07	30400-02000	BEARING (6204P6)	滚动轴承	1	
08	0A70-012002	PRESS TOOL. BEARING	轴承压板	1	
09	30107-060012410	SCREW M6x12	螺钉	2	
10	30400-01503	BEARING (6202/P6)	滚动轴承	1	
11	0A80-012005	GASKET, RH SIDE COVER	右侧盖垫片	1	
12	0010-080008	DOWEL PIN	定位销Φ8X14	2	
13	0A70-012001-00003	LIMIT BOLT	限位螺栓	1	
14	0A70-012004-00001	CYLINDER STUD M8x175	气缸螺柱	2	
15	0A70-012003-00002	STUD	螺柱	1	

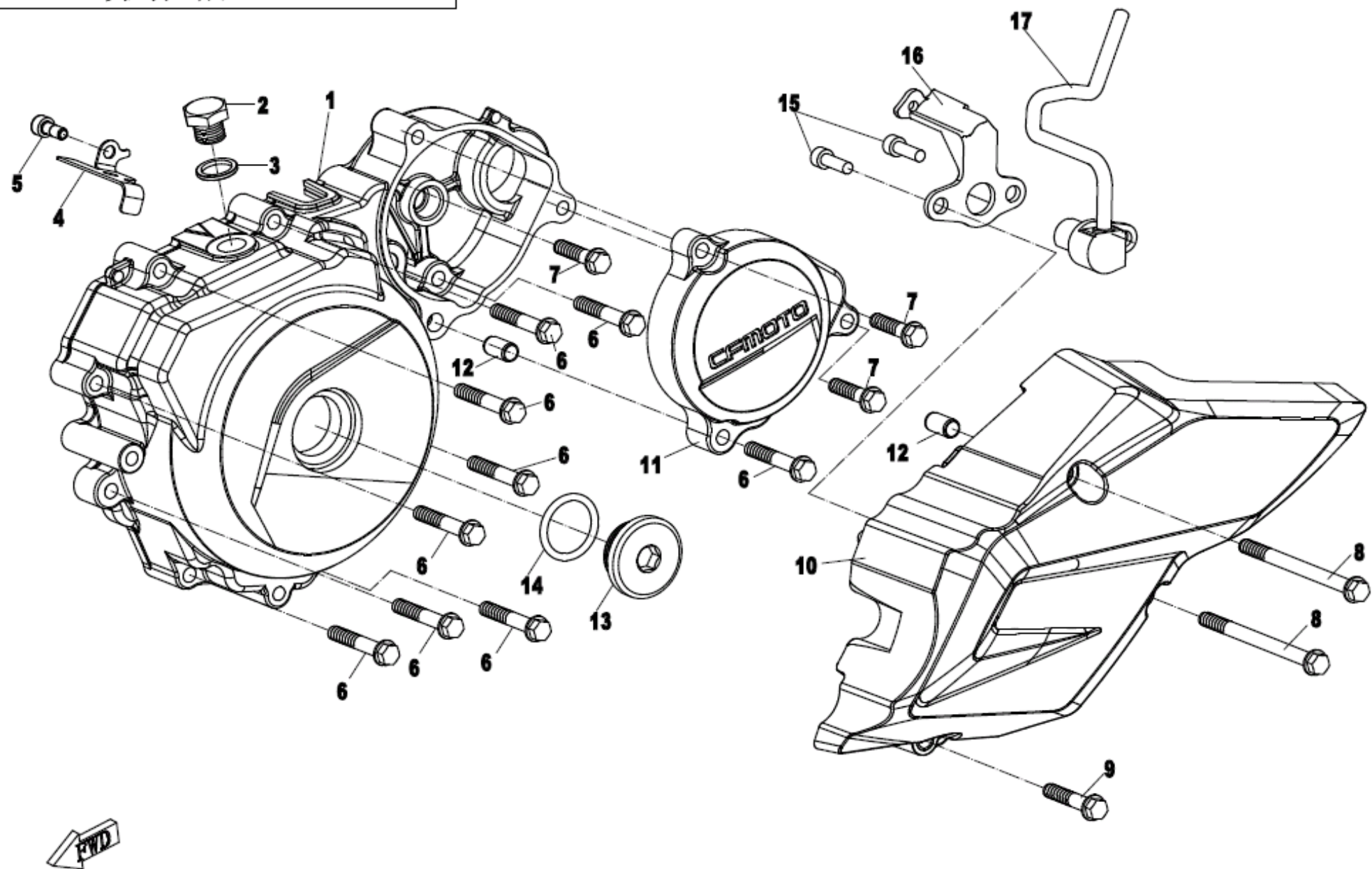
E01-3 右侧盖分总成RIGHT SIDE COVER



E01-3 右侧盖分总成 RIGHT SIDE COVER ASSY.

Item No	Parts Number	Parts Name(EN)	Parts Name(CN)	Qty	Remark(s)
01	0A80-013001-2B201	RH SIDE COVER	右侧盖	1	
02	0A70-013100	OIL SEAL 12x21x7, CRANKCASE	曲轴油封	1	
03	0A80-013003	PRESS PLATE, OIL SEAL	油封压板	1	
04	30105-060012410	SCREW M6x12	螺钉	1	
05	0A70-013500	VIEWER, OIL LEVEL	油面观察镜组合	1	
06	0A70-013004	PLUG	堵头	1	
07	30017-060022110	BOLT	螺栓	2	
08	0180-011006	GASKET 14	垫片14	1	
09	0A70-013007-00001	SCREW PLUG M14x1.25x12	螺塞_M14x1.25x12	1	
10	0A70-013006	O-SEAL RING 16.8x3.1	O形密封圈	1	
11	0A70-013005	BOLT PLUG, FUEL FILLING PORT	加油口螺塞	1	
12	01A0-013005	O-SEAL RING	O形密封圈	1	
13	0A70-013200	FILTER ELEMENT, PAPER	纸质滤芯组件	1	
14	01A0-013003	O-SEAL RING 53.6x2.4	O形密封圈	1	
15	0A70-013003	SPRING, FILTER ELEMENT	滤芯弹簧	1	
16	0A80-013002-0B20	COVER, OIL FILTER	机滤盖	1	
17	30212-060810	CAP-SHAPE BOLT M6	螺母	3	
18	0010-023010-0010	BOLT M6x20	螺栓	1	
19	0010-060012-0010	BOLT M6x30	螺栓	8	
20	0010-013008-0010	BOLT M6x35	螺栓	1	

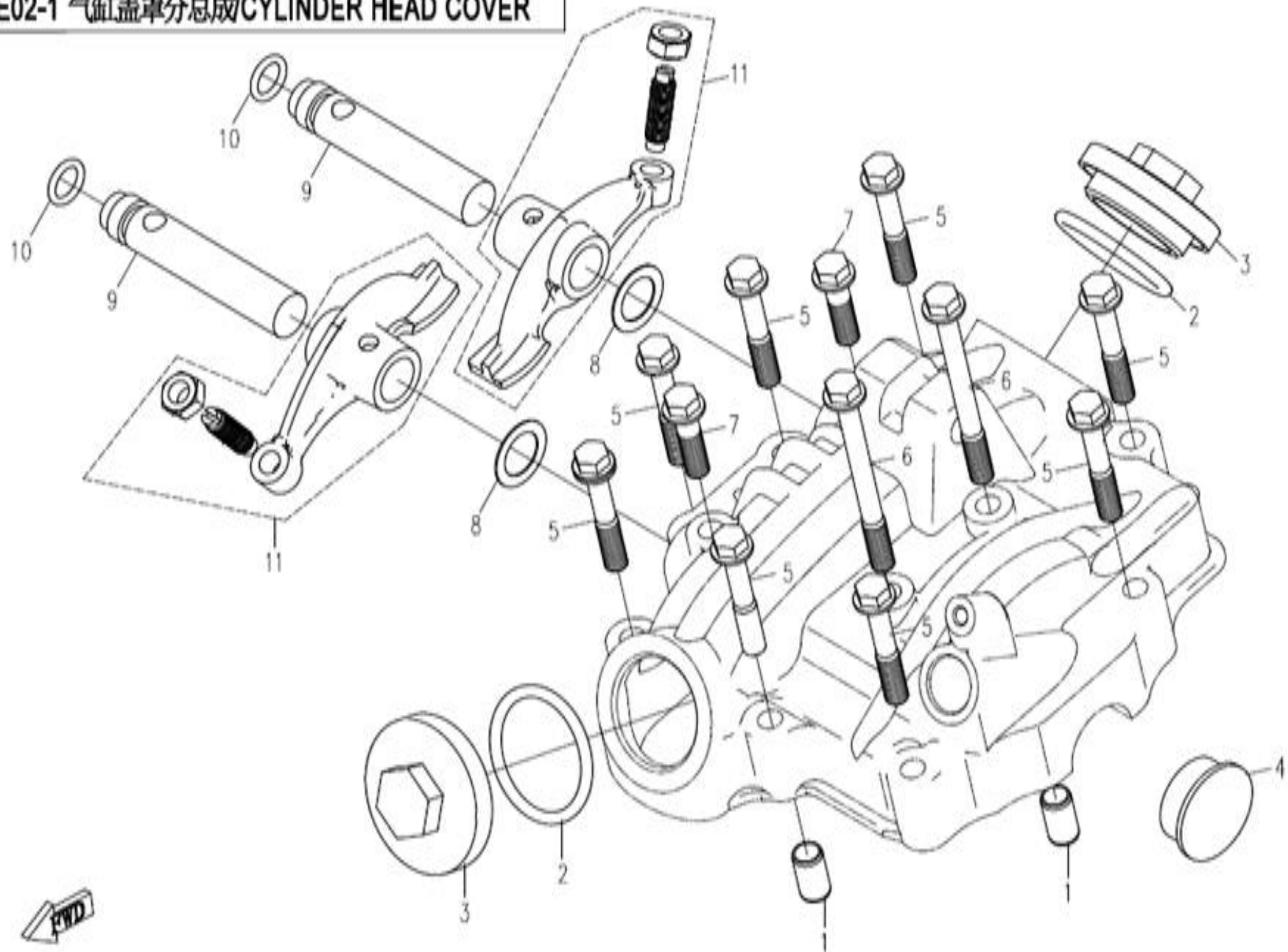
E01-4 左侧盖分总成/LEFT SIDE COVER



E01-4 左侧盖分总成 LEFT SIDE COVER ASSY.

Item No	Parts Number	Parts Name(EN)	Parts Name(CN)	Qty	Remark(s)
01	0A80-014001-1B203	LH FRONT COVER	左前盖	1	
02	0A70-014007-00001	SCREW PLUG, VIEW HOLE	视孔螺塞	1	
03	0010-021014	WASHER 12	垫圈12	1	
04	0A80-014005	WIRE CLAMP	导线压板	1	
05	30102-050012810	SCREW M5x12	螺钉	1	
06	0010-013008-0010	BOLT M6x35	螺栓	9	
07	0010-021017-0010	BOLT M6x25	螺栓	3	
08	0A70-011005-00001	BOLT M6x75	螺栓_M6x75	2	
09	0010-060012-0010	BOLT M6x30	螺栓	1	
10	0K1A-014100	REAR COVER, LH	左后盖组件	1	
11	0A80-014003-2B201	LH FRONT GEAR COVER	左前盖齿轮盖	1	MATTE BLACK
12	0010-080008	DOWEL PIN	定位销Φ8X14	2	8X14
13	0A70-014005-0B20	BOLT CAP, LH FRONT SIDE COVER	左前侧盖螺盖	1	MATTE BLACK
14	0A70-014006	O-SEAL RING 22.7x3.1	O型密封圈	1	22.7x3.1
15	30102-050016810	SCREW M5x16	螺钉	2	M5x16
16	6FIV-040012-7100	SPEED SENSOR BRACKET	车速传感器支架	1	
17	0700-065310-10000	SPEED SENSOR	车速传感器	1	

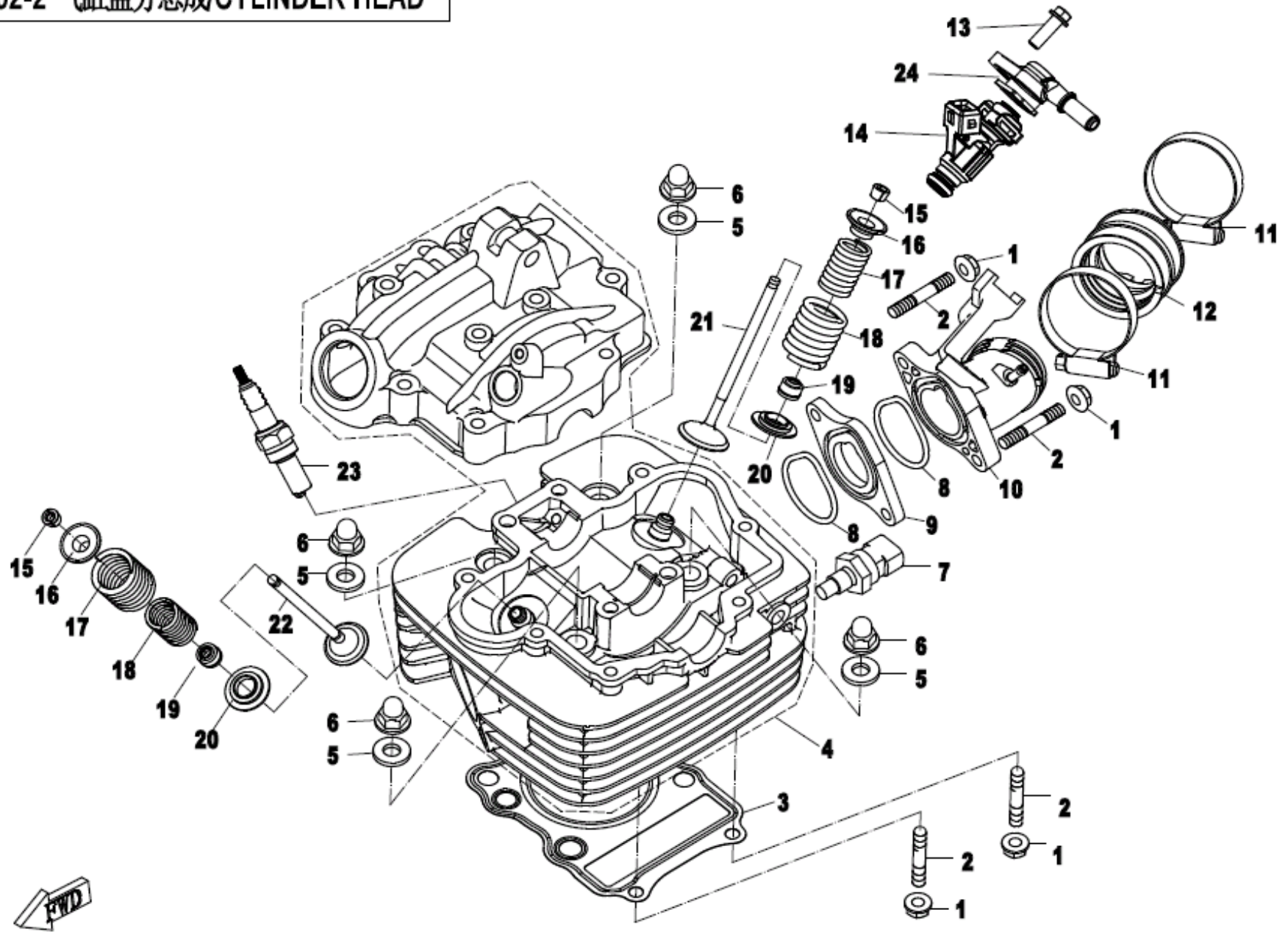
E02-1 气缸盖罩分总成/CYLINDER HEAD COVER



E02-1 气缸盖罩分总成 CYLINDER HEAD COVER ASSY.

Item No	Parts Number	Parts Name(EN)	Parts Name(CN)	Qty	Remark(s)
01	0C10-021003	DOWEL PIN Dia 8X12	定位销φ8×12	2	
02	0110-013028	O-SEAL RING 30x3.55	O形密封圈	2	
03	0110-013007-0B20	COVER, STRAINER	滤油网盖	2	
04	0C10-021002	PLUG, CAMSHAFT	凸轮轴塞	1	
05	0010-013008-0010	BOLT M6x35	螺栓	8	
06	0010-011017-0010	BOLT M6x60	螺栓	2	
07	0010-080013-0010	BOLT M6x22	螺栓	2	
08	0A70-021002	WASHER	波形垫圈	2	
09	0C10-021004	ROCKER ARM SHAFT	摇臂轴	2	
10	0A70-021005	O-RING 8.6x1.9	O型圈	2	
11	0A70-021100	SWING ARM ASSY	摇臂组件	2	

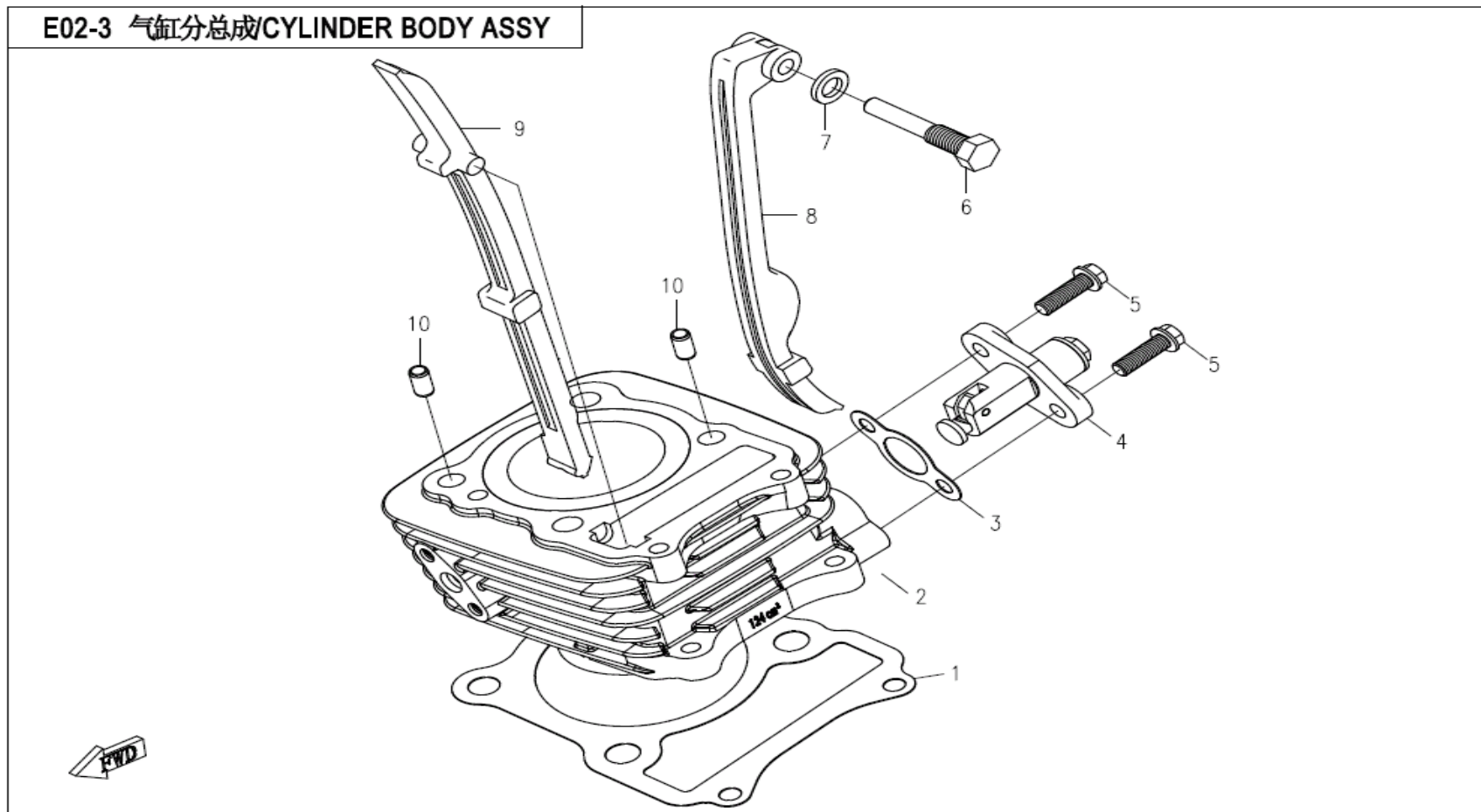
E02-2 气缸盖分总成/CYLINDER HEAD



E02-2 气缸盖分总成 CYLINDER HEAD ASSY.

Item No	Parts Number	Parts Name(EN)	Parts Name(CN)	Qty	Remark(s)
01	30204-060810	NUT M6	螺母	4	
02	30011-060025820	STUD M6x25	螺柱M6x25	4	
03	0C10-022008	GASKET, CYLINDER HEAD	气缸盖垫片	1	
04	0KIA-0220A0-0B200	CYLINDER HEAD & HEAD COVER	气缸盖、气缸盖罩组合	1	
05	0010-022012	WASHER 8	垫圈8	4	
06	0010-022013-00002	BOLT M8	M8_彩锌三价铬	4	
07	0KIA-022005	CYLINDER HEAD TEMP. SENSOR	缸盖温度传感器	1	
08	0KIA-022003	SEAL RING, INJECTOR SEAT	喷油器座密封圈	2	
09	0KIA-022002	HEAT INSULATOR, FUEL INJECTOR SEAT	喷油器座隔热垫片	1	
10	0KIV-022201-4001	FUEL INJECTOR SEAT	喷油器座	1	
11	30603-050000	CLAMP D50	喉箍D50	2	
12	0KIA-022004-00001	CONNECTING PIPE, THROTTLE BODY	节气门体连接管	1	
13	0010-023008-00001	BOLT	螺栓	1	
14	0KIV-171000-4000	INJECTOR ASSY	喷油器总成	1	
15	0C10-022006	LOCK CLIP, VALVE	气门锁夹	4	
16	0C10-022005	SPRING PLATE, VALVE	气门弹簧盘	2	
17	0A70-022003	INNER SPRING, VALVE	气门内弹簧	2	
18	0A70-022004	OUTER SPRING, VALVE	气门外弹簧	2	
19	0010-022500-10000	SEAL RING, VALVE STEM	气门杆密封圈组件	2	
20	0C10-022007	SEAT, VALVE SPRING	气门弹簧座	2	
21	0C10-022001	VALVE, INTAKE	进气门	1	
22	0C10-022002	VALVE, EXHAUST	排气门	1	
23	AC-005-1201-0009	SPARK PLUG	火花塞组件	1	NGK CR8E
24	0KIV-170010-4000	INJECTOR CAP	喷油器帽	1	

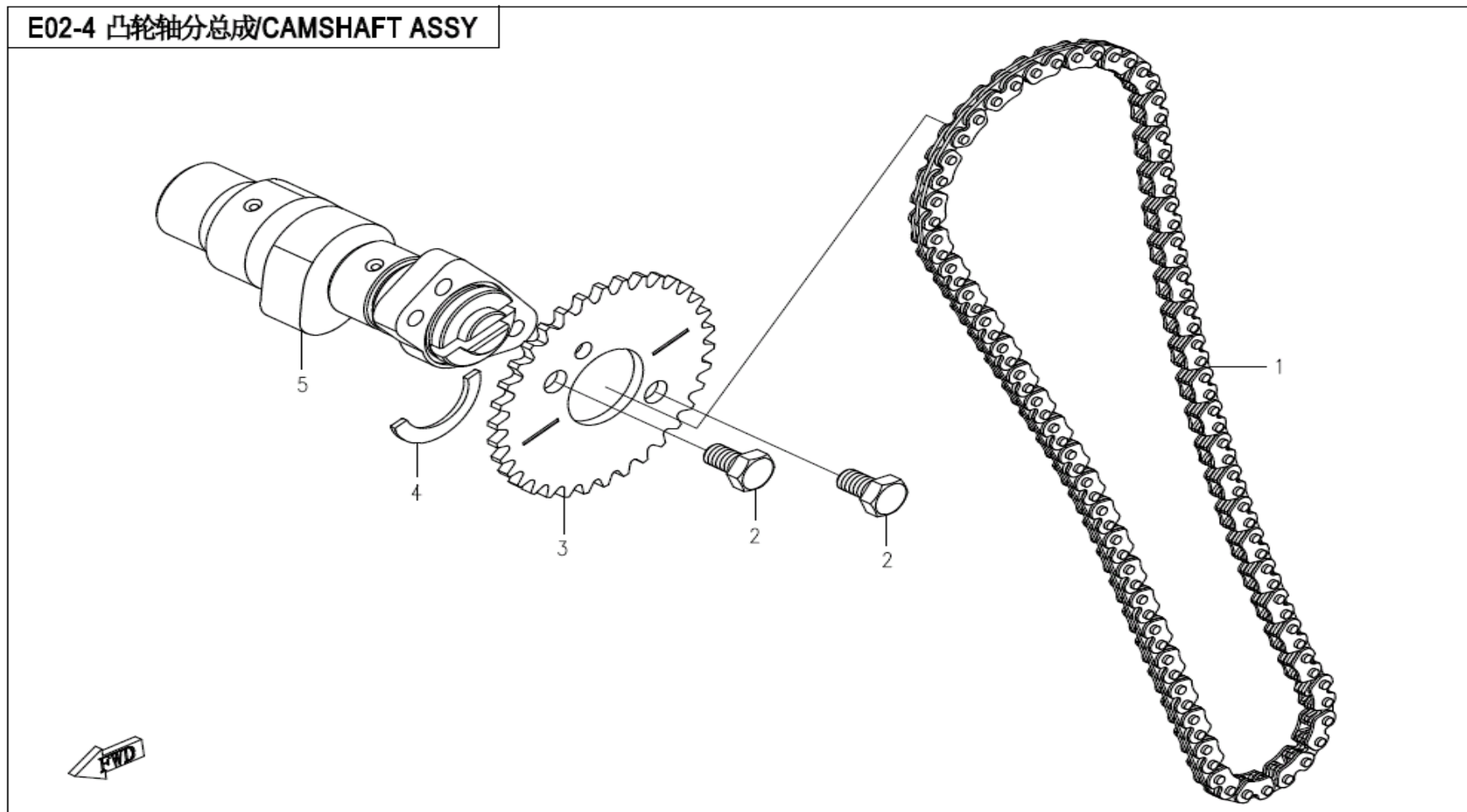
E02-3 气缸分总成/CYLINDER BODY ASSY



E02-3 气缸分总成 CYLINDER BODY ASSY.

Item No	Parts Number	Parts Name(EN)	Parts Name(CN)	Qty	Remark(s)
01	0C10-023004-10000	GASKET, CYLINDER HEAD	气缸体垫片	1	
02	0KIB-023100-0B210	CYLINDER ASSY	气缸体组件	1	
03	0A70-023001-0G30	GASKET,TENSIONER	张紧器垫片	1	
04	0C10-023200-1B200	TENSIONER ASSY	张紧器组件	1	
05	0010-023010-0010	BOLT M6x20	螺栓	2	
06	0180-023007-00001	BOLT, TENSIONER PLATE M8x39.5	张紧板螺栓_M8x39.5	1	
07	0010-021016	WASHER 8	垫圈8	1	
08	0A70-023300	TENSION PLATE ASSY	张紧板组件	1	
09	0A70-023400	CHAIN GUIDE	链条导板	1	
10	0C10-011007	DOWEL PIN Dia 11x16	定位销Φ	2	

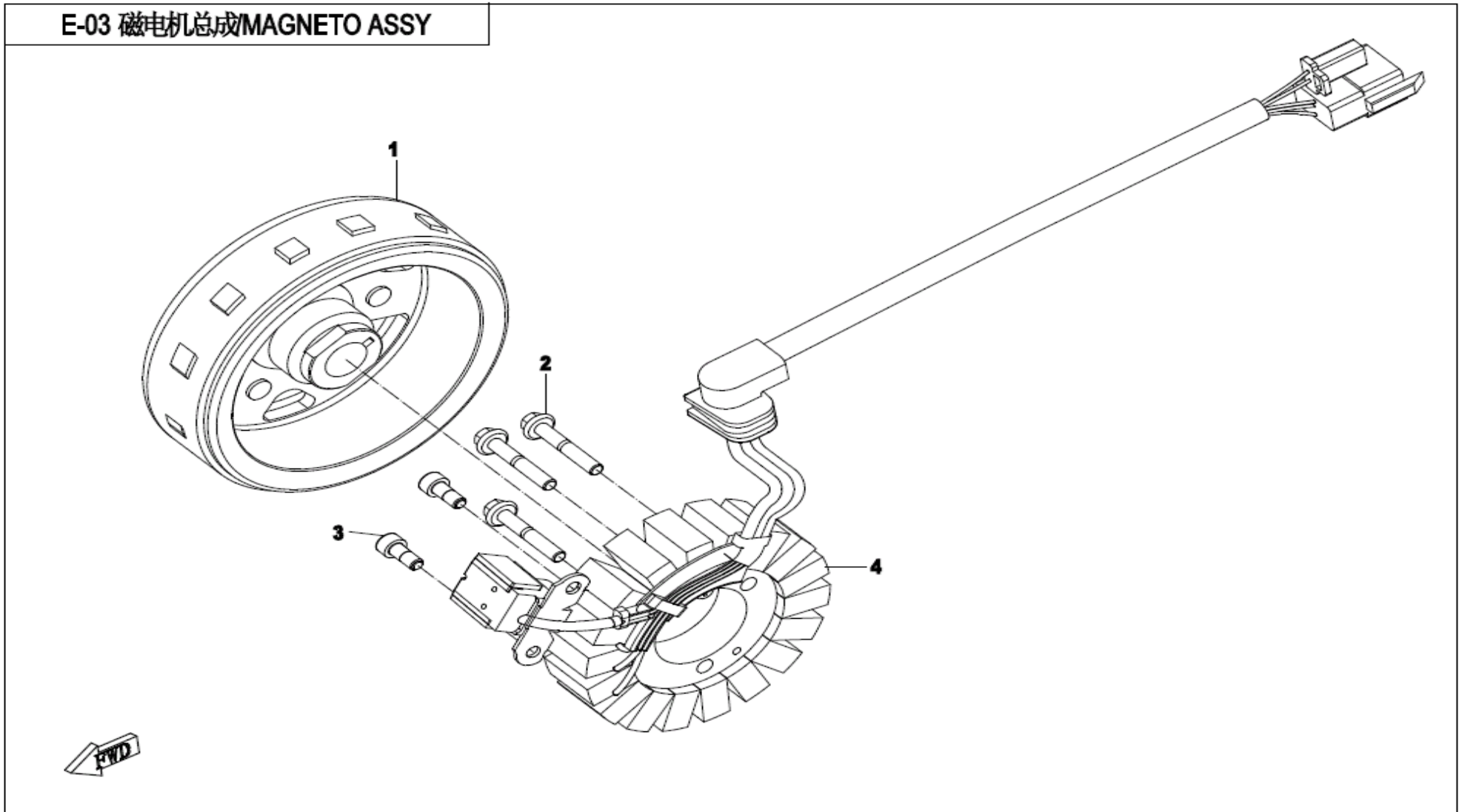
E02-4 凸轮轴分总成/CAMSHAFT ASSY



E02-4 凸轮轴分总成 CAMSHAFT ASSY.

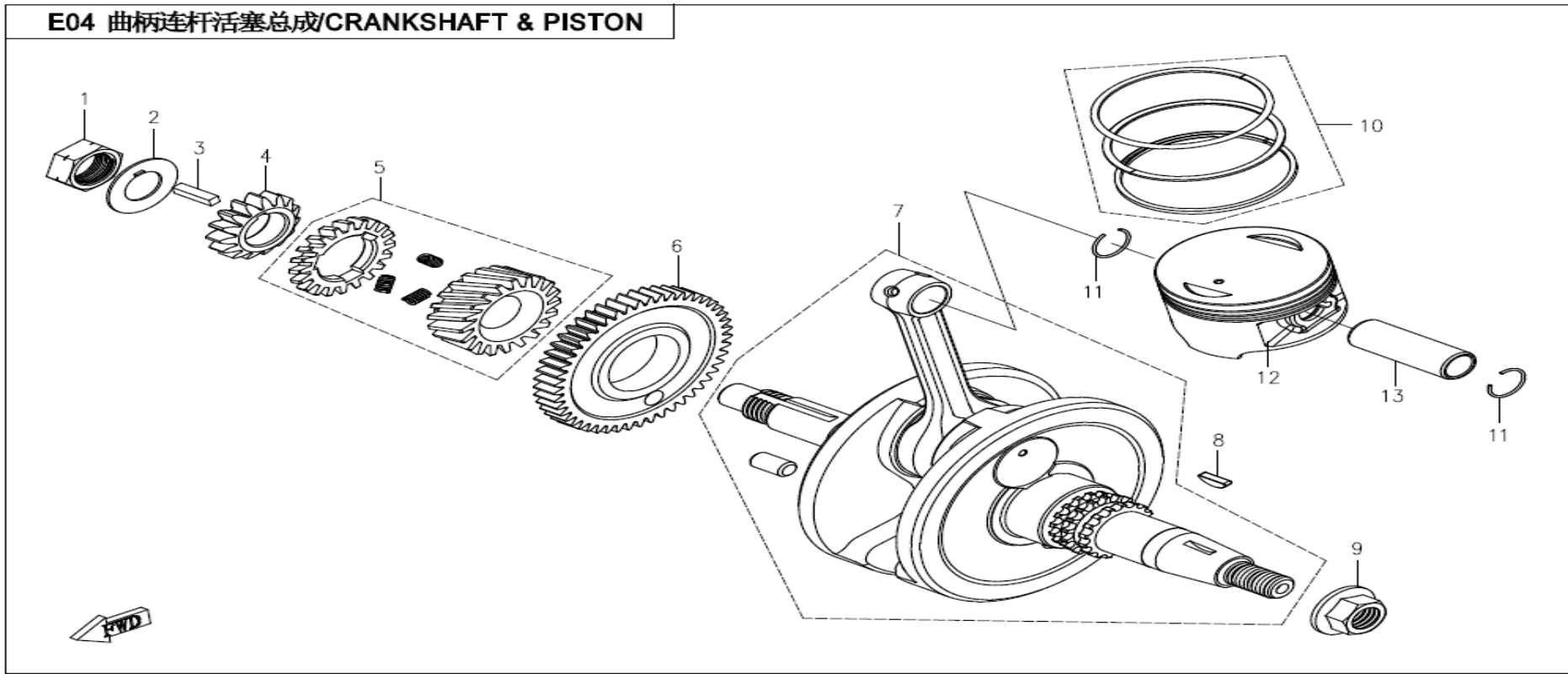
Item No	Parts Number	Parts Name(EN)	Parts Name(CN)	Qty	Remark(s)
01	0A70-024100	TIMING CHAIN	正时链条组件	1	
02	30004-060010150	BOLT M6x10	螺栓	2	
03	0A70-024002	TIMING SPROCKET	正时链轮	1	
04	0180-024004	CAMSHAFT SPACER	凸轮轴定位片	1	
05	0A70-024001	CAMSHAFT	凸轮轴	1	

E-03 磁电机总成/MAGNETO ASSY



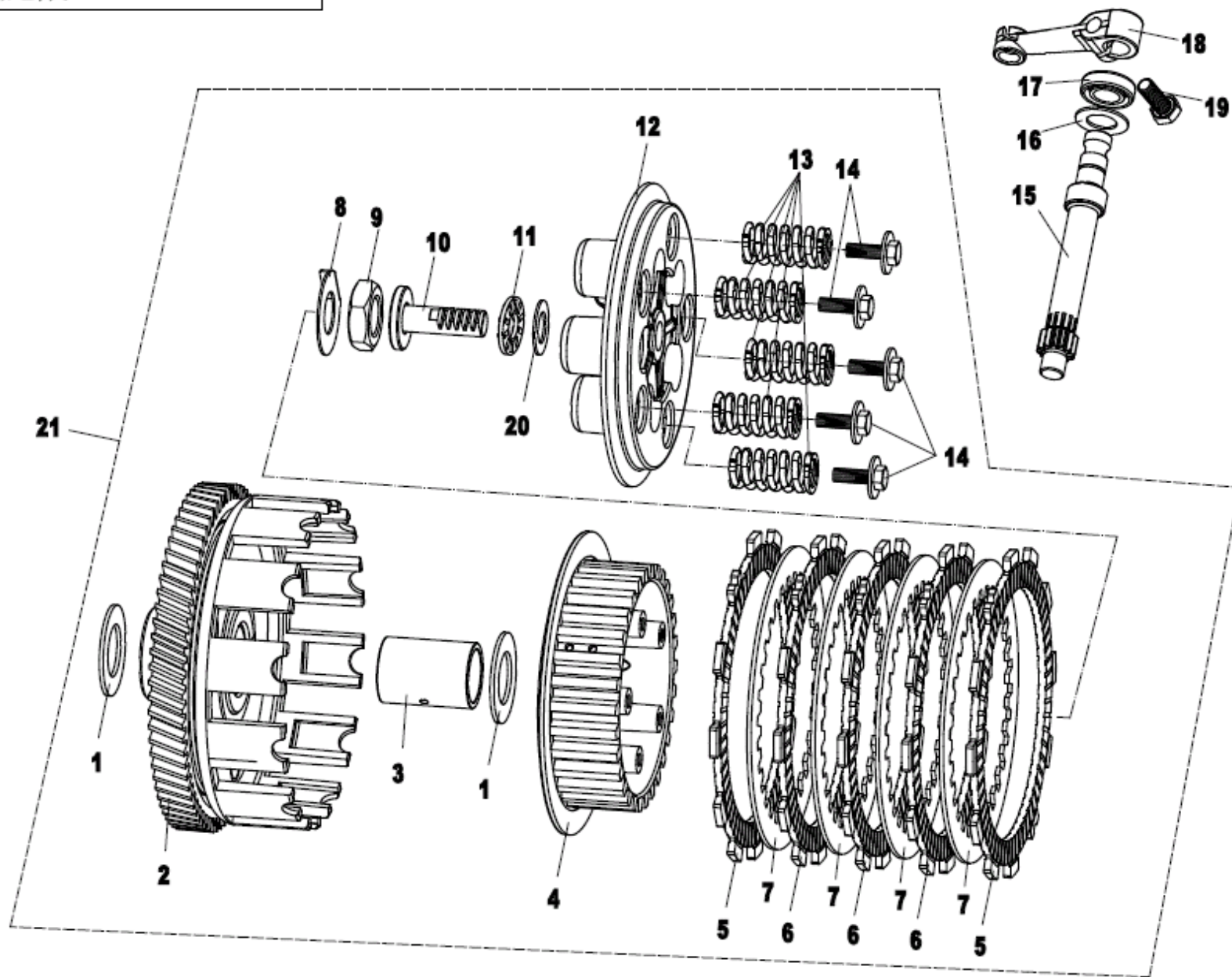
E03 磁电机总成 MAGNETO ASSY.

Item No	Parts Number	Parts Name(EN)	Parts Name(CN)	Qty	Remark(s)
01	OKIV-031000-4000	MAGNETO ROTOR ASSY	磁电机转子组合	1	
02	0A70-014004-00002	BOLT M5x25	螺栓	3	
03	30102-050012810	SCREW M5x12	螺钉	2	
04	OKIA-032000-10000	MAGNETO STATOR ASSY	磁电机定子组合	1	

E04 曲柄连杆活塞总成/CRANKSHAFT & PISTON

E04 曲柄连杆活塞总成 CRANKSHAFT /CONNECTING ROD & PISTON ASSY.

Item No	Parts Number	Parts Name(EN)	Parts Name(CN)	Qty	Remark(s)
01	0A70-040007	NUT M16	螺母M16	1	
02	0A70-040008	LOCK WASHER	锁紧垫圈	1	
03	3121100	GUIDE BLOCK B4x4x16	定位键B4x4x16	1	
04	0A70-040009	DRIVE GEAR, OIL PUMP	机油泵主动齿轮	1	
05	0A80-043000	PRIMARY DRIVEN GEAR ASSY	初级主动齿轮组合	1	
06	0A80-040003	GEAR, CRANKSHAFT BALANCER	曲轴平衡齿轮	1	
07	0KIB-041000	CRANKSHAFT & CONNECTING ROD ASSY	曲轴连杆分总成	1	
08	0A70-040011	WOODRUFF KEY	半圆键	1	
09	0110-052008-00002	NUT	螺母	1	
10	0A70-0400A0	PISTON RING ASSY	活塞环组合	1	
11	0C10-040003	CIRCLIP, PISTON PIN	活塞销挡圈	2	
12	0C10-040001	PISTON	活塞	1	
13	0C10-040002	PISTON PIN	活塞销	1	

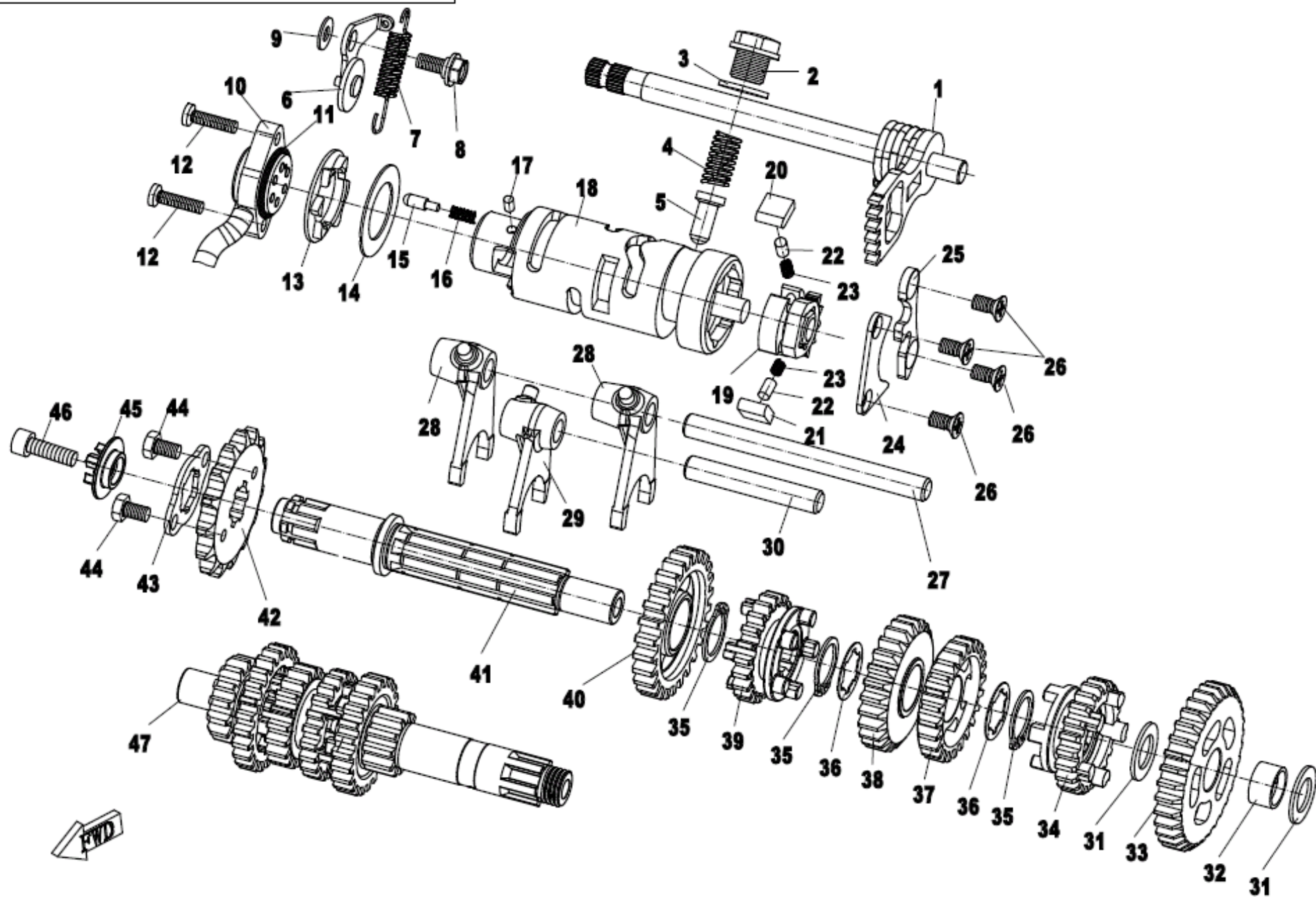
E05 离合器总成/CLUTCH ASSY



E05 离合器总成 CLUTCH ASSY.

Item No	Parts Number	Parts Name(EN)	Parts Name(CN)	Qty	Remark(s)
01	0A70-050002	WASHER 20x34.5x2	垫圈	2	
02	0A80-051100	PRIMARY DRIVEN GEAR ASSY	初级从动齿轮组合	1	
03	0A80-050001	BUSHING, PRIMARY DRIVEN GEAR	初级从动齿轮衬套	1	
04	0A70-051201	HUB, CLUTCH	离合器毂	1	
05	0A80-050010	DRIVE FRICTION DISC 1, CLUTCH	离合器主动片1	2	
06	0A80-050020	DRIVE FRICTION DISC 2, CLUTCH	离合器主动片2	3	
07	0A70-051202	DRIVEN DISC, CLUTCH	离合器从动片	4	
08	0A70-050004	LOCK WASHER	锁紧垫圈	1	
09	0A70-050005	NUT	螺母	1	
10	0A80-050006	ROD, CLUTCH	离合器顶杆	1	
11	0A80-050030	THRUST BEARING&BRACKET, CLUTCH	推力滚针和保持架组件	1	
12	0A80-050008	PRESSURE PLATE, CLUTCH	离合器压盘	1	
13	0A70-051204	SPRING, CLUTCH	离合器弹簧	5	
14	30112-050016410	SCREW ASSY M5x16	螺钉组合件	5	
15	0A80-050009	ROD, CLUTCH	离合器拉杆	1	
16	0A70-052002	WASHER 10x20x1	垫圈	1	
17	0110-080005	OIL SEAL 10x20x5	油封	1	
18	0A80-050005	SEPARATE SWING ARM	分离摇臂	1	
19	0010-090005-0010	BOLT M6x16	螺栓	1	
20	0A80-050004	WASHER	推力垫圈	1	
21	0A80-0500A0	CLUTCH ASSY	离合器组合	1	

E06 换挡变速总成 TRANSMISSION ASSY

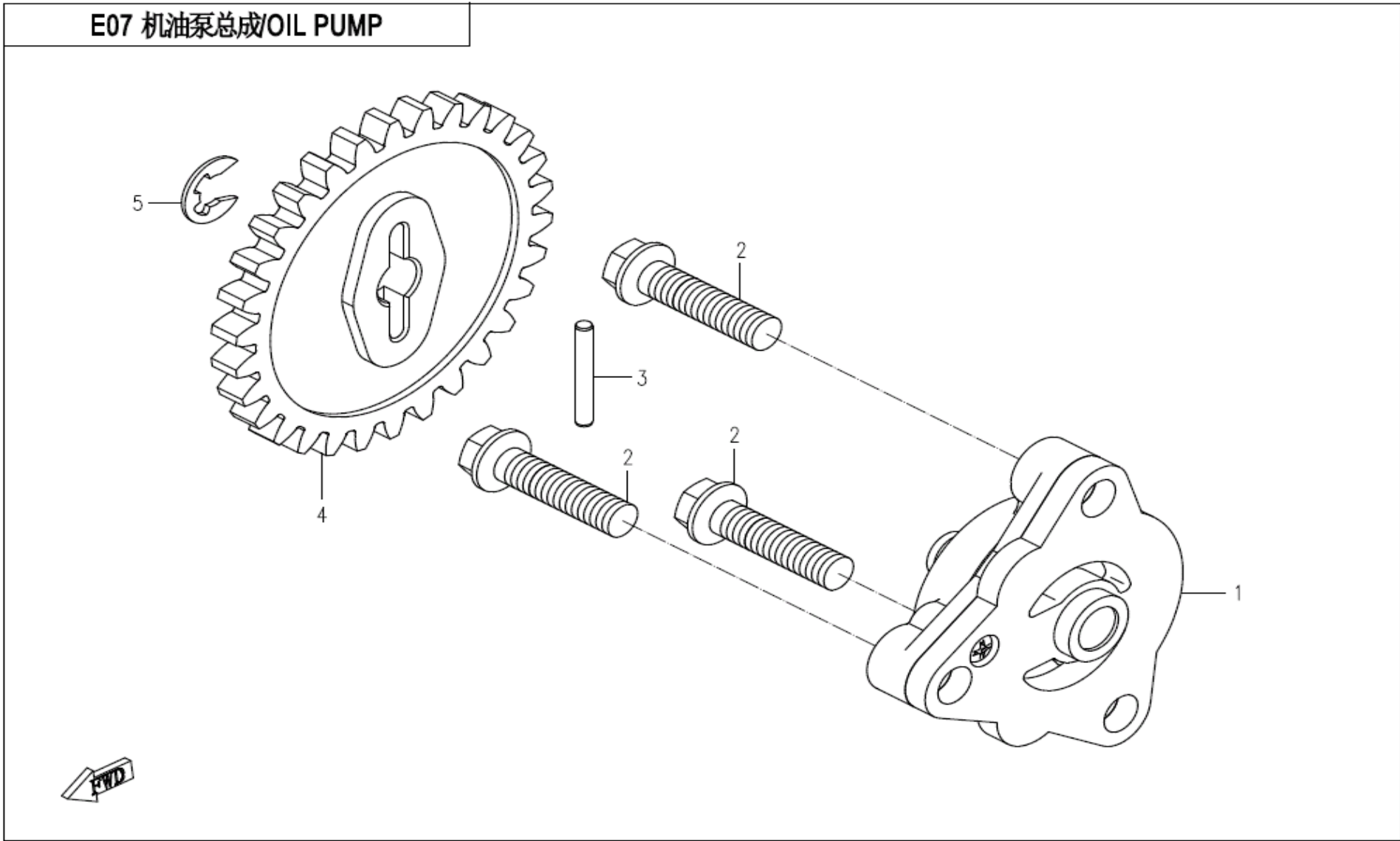


E06 换挡变速总成 TRANSMISSION ASSY.

Item No	Parts Number	Parts Name(EN)	Parts Name(CN)	Qty	Remark(s)
01	0A80-063000-00001	GEARSHIFT ASSY	换挡杆组合	1	
02	0180-021008-00001	BOLT	螺栓	1	
03	0180-011006	GASKET 14	垫片14	1	
04	0A70-060012	SPRING, NEUTRAL	空档定位弹簧	1	
05	0A70-060013	STOPPER, NEUTRAL	空档止动销	1	
06	0A70-065100	STOPPER, CAM	变档凸轮定位机构	1	
07	0A70-065003	GEARSHIFT LOCATED SPRING	换挡定位簧	1	
08	0A70-065001-00001	BOLT, GEARSHIFT CAM	变档凸轮定位螺栓	1	
09	0A70-065002	WASHER 6	垫圈6	1	
10	0A8V-066000-1001	GEAR POSITION SENSOR	档位接触器	1	
11	0A70-060014	O-RING 26.2x2.4	O形圈	1	
12	30116-050020410	SCREW ASSY M5x20	螺钉组合件	2	
13	0A70-064002	LOCATED PLATE, CAM	变档凸轮定位盘	1	
14	0A70-064001	WASHER 25x40x1	垫圈	1	
15	0A70-064004	CONTACTOR, GEAR SWITCH	档位开关触头	1	
16	0A70-064003	SPRING	触头弹簧	1	
17	30901-0400600	PIN	圆柱销	1	4x6
18	0A80-064200-00001	SHIFT DRUM	换挡凸轮毂组件	1	
19	0A70-064100	DRIVEN GEAR, CAM	变档凸轮从动齿轮	1	
20	0A70-064005	RH PAWL	右棘爪	1	
21	0A70-064008	LH PAWL	左棘爪	1	
22	0A70-064006	PIN, GEARSHIFT	变档棘爪销	2	
23	0A70-064007	SPRING	棘爪弹簧	2	
24	0A70-060006	PAWL PLATE, GEARSHIFT	变档棘爪推板	1	
25	0A70-060005	CAM GUIDE	变档凸轮导板	1	
26	30107-060012410	SCREW M6x12	螺钉	4	
27	0A70-060003-00001	FORK SHAFT	拨叉轴	1	
28	0A70-060004	SHIFT FORK	拨叉	2	
29	0A70-060002	FORK, MIDDLE	拨叉	1	
30	0A70-060001-00001	FORK SHAFT	拨叉轴	1	
31	0A80-062009	WASHER 15x25x1.5	垫圈	2	
32	0A80-062008	BUSHING	衬套	1	
33	0A80-062001	1-GEAR, COUNTERSHAFT	副轴一档齿轮	1	33

Item No	Parts Number	Parts Name(EN)	Parts Name(CN)	Qty	Remark(s)
34	0A80-062005	5-GEAR, COUNTERSHAFT	副轴五档齿轮	1	22
35	0A80-061008	CIRCLIP	挡圈	3	
36	0A80-062007	WASHER	花键垫圈	2	
37	0A80-062004	4-GEAR, COUNTERSHAFT	副轴四档齿轮	1	24
38	0A80-062003	3-GEAR, COUNTERSHAFT	副轴三档齿轮	1	26
39	0A80-062006	6-GEAR, COUNTERSHAFT	副轴六档齿轮	1	21
40	0A80-062020	2-GEAR, COUNTERSHAFT	副轴二档齿轮组件	1	26
41	0KIA-062071	COUNTERSHAFT	副轴	1	
42	0A80-060001	DRIVE SPROCKET	主动链轮	1	
43	0A80-060002	GUARD, SPROKET	链轮挡板	1	
44	30004-060010850	BOLT M6x10	螺栓	2	
45	0KIA-060007	SPEED SENSOR DISC	车速感应盘	1	NO ABS
46	0110-090009-00002	INNER HEX SCREW	内六角圆柱头螺钉	1	NO ABS
46	0010-080008	DOWEL PIN	定位销Φ8X14	1	ABS
47	0A80-061000-00001	MAIN SHAFT ASSY	主轴组合	1	

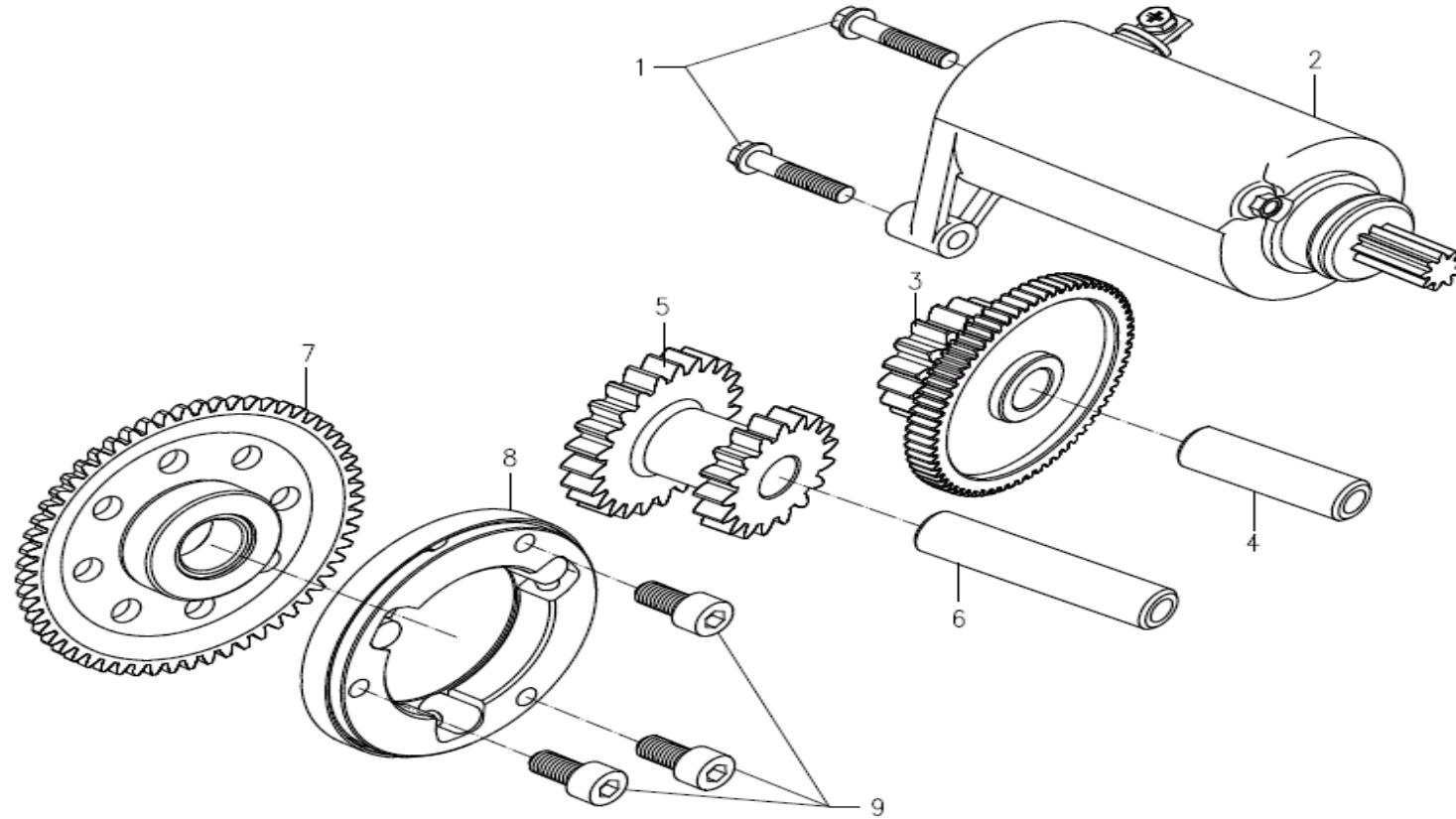
E07 机油泵总成 OIL PUMP



E07 机油泵总成 OIL PUMP ASSY.

Item No	Parts Number	Parts Name(EN)	Parts Name(CN)	Qty	Remark(s)
01	0A70-071000	OIL PUMP SUB ASSY	机油泵分总成	1	
02	0010-021017-0010	BOLT M6x25	螺栓	3	
04	0A70-070001	DRIVEN GEAR, OIL PUMP	机油泵从动齿轮	1	
05	30802-00605	CIRCLIP	开口挡圈	1	6

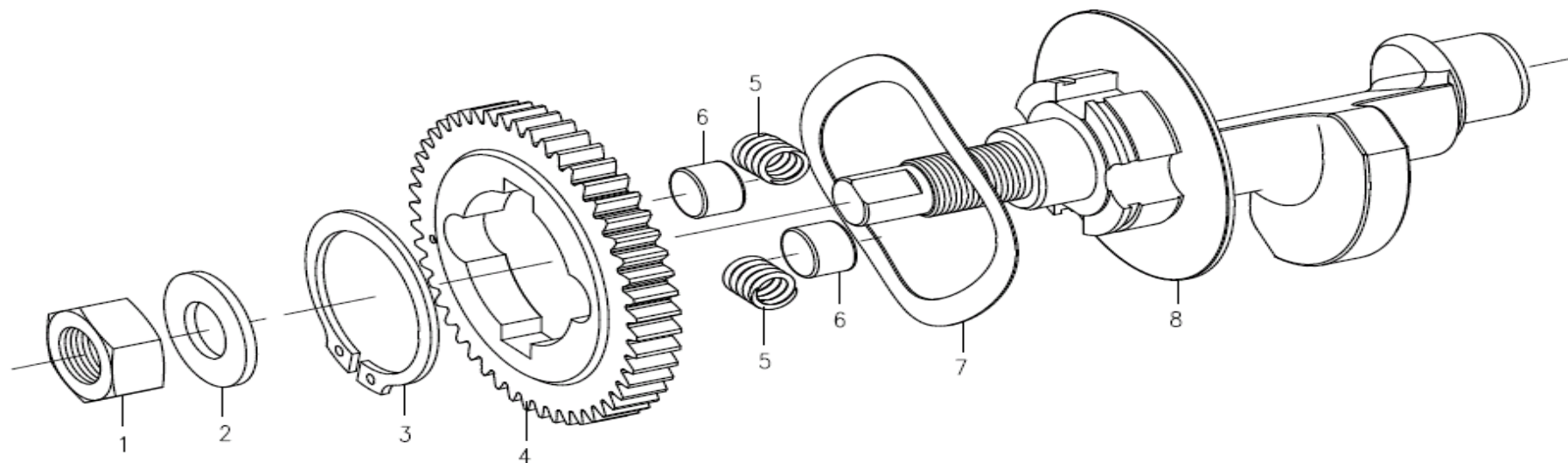
E09 起动系统总成/STARTING SYSTEM



E09 起动系统总成 ELECTRIC STARTING ASSY.

Item No	Parts Number	Parts Name(EN)	Parts Name(CN)	Qty	Remark(s)
01	0010-021017-0010	BOLT M6x25	螺栓	2	
02	0A80-093000	STARTING MOTOR	起动电机组件	1	
03	0A80-090001-00001	DUAL GEAR 1	双联齿轮 I	1	
04	0A80-090003	SHAFT, DUAL GEAR I	双联齿轮轴 I	1	
05	0A80-090002-00001	DUAL GEAR 2	双联齿轮 II	1	
06	0A70-091002-00001	SHAFT, DUAL GEAR	双联齿轮轴	1	
07	0A8A-092000	GEAR, STARTING MOTOR	起动大齿轮组件	1	
08	0A8A-094000	CLUTCH	离合器	1	
09	0A8A-090004-00002	SCREW	螺钉	3	

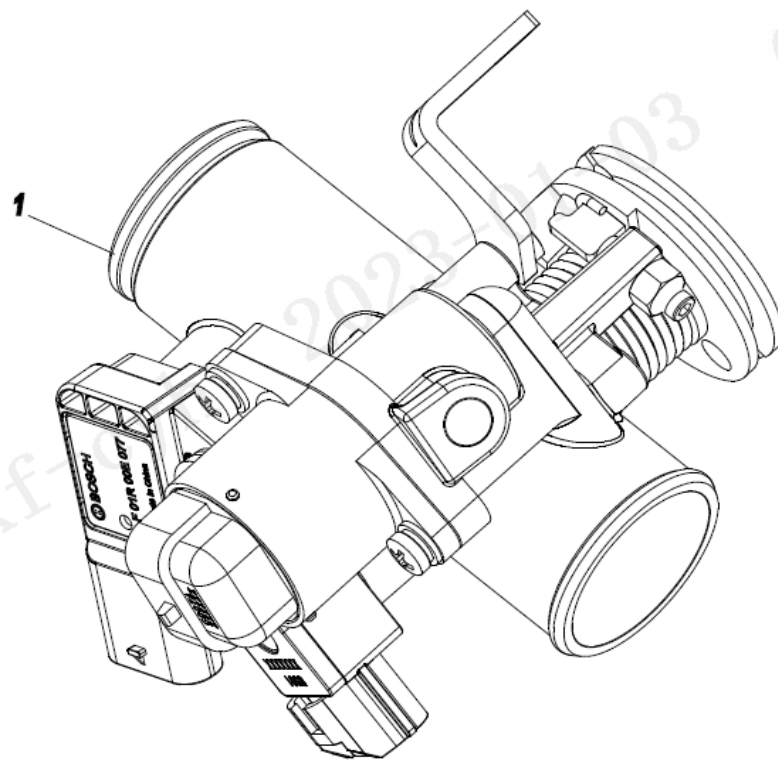
E16 平衡轴总成 BALANCE SHAFT



E16 平衡轴总成 BALANCE SHAFT ASSY.

Item No	Parts Number	Parts Name(EN)	Parts Name(CN)	Qty	Remark(s)
01	0110-051007-00002	NUT	螺母	1	
02	0010-051004	WASHER	垫圈	1	14x28x2
03	0A80-160005	CIRCLIP38	挡圈38	1	38
04	0A80-160001	GEAR, BALANCE SHAFT	平衡轴平衡齿轮	1	
05	0A80-160004	SPRING, BALANCER GEAR	平衡齿轮弹簧	2	
06	0A80-160003	DAMPER, BALANCE SHAFT GEAR	平衡轴齿轮减震垫	2	
07	0A80-160002	WASHER	波形垫圈	1	
08	0K12-161000	BALANCE SHAFT ASSY	平衡轴组合	1	

节气门体总成 **THROTTLE BODY**



E17 节气门体总成 THROTTLE BODY ASSY.

Item No	Parts Number	Parts Name(EN)	Parts Name(CN)	Qty	Remark(s)
01	OKIV-173000-4000	THROTTLE BODY	节气门总成	1	